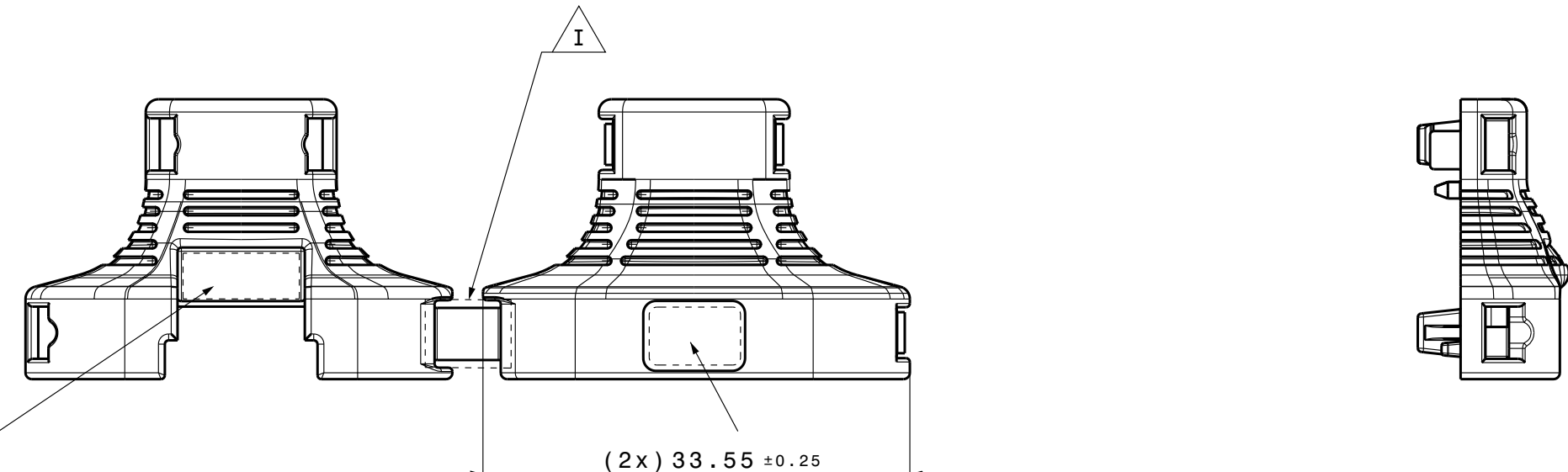


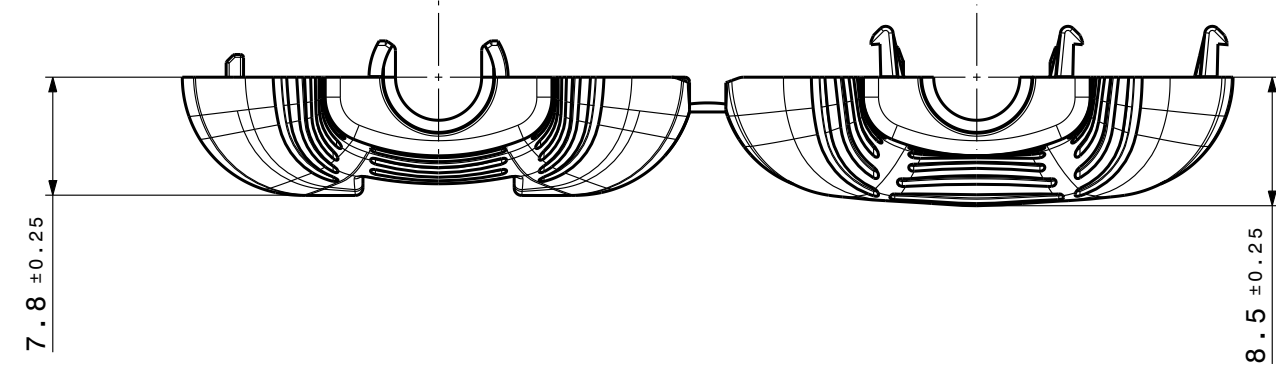
EDITION AXIAL

MOLD CAVITY NO.
FONT LEANT ON DIN 1451 1E2
RECESSED/RAISED
DATE STAMP
RECESSED/RAISED
HIRSCHMANN NO.
FONT LEANT ON DIN 1451 1E1
RECESSED/RAISED



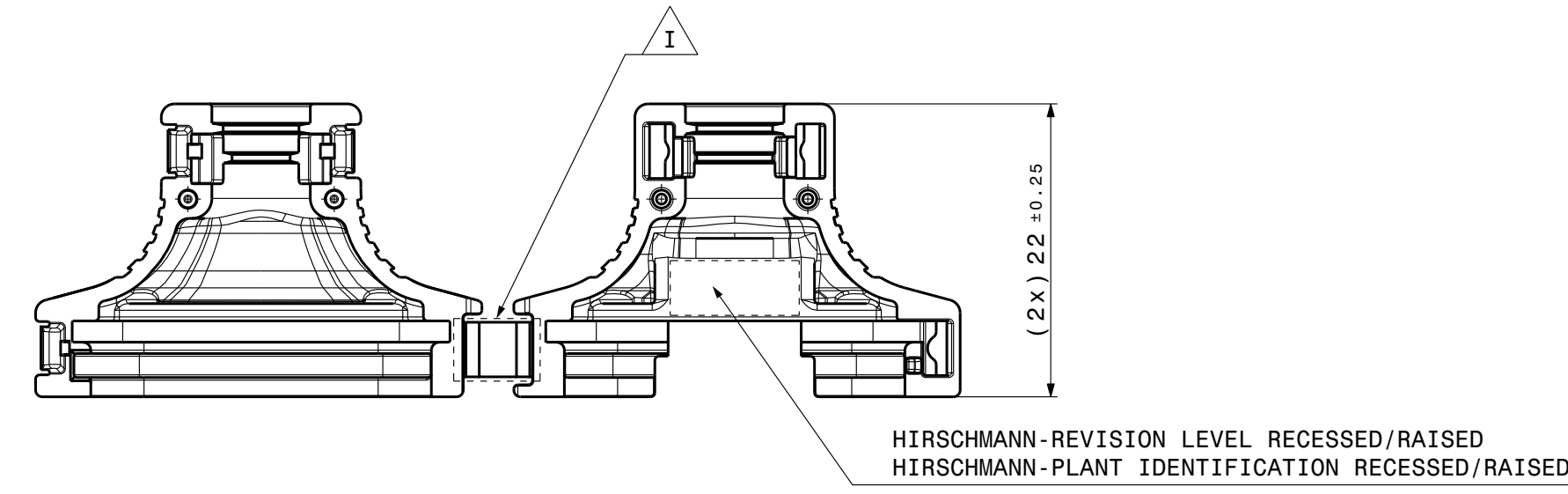
(2x) 33.55 ±0.25

FIELD RECESSED/ RAISED
HIRSCHMANN SIGN RECESSED/ RAISED
MATERIAL LABEL FONT LEANT ON DIN 1451 1E1 RECESSED/RAISED
MATERIAL: PA6
RECESSED/ RAISED



7.8 ±0.25

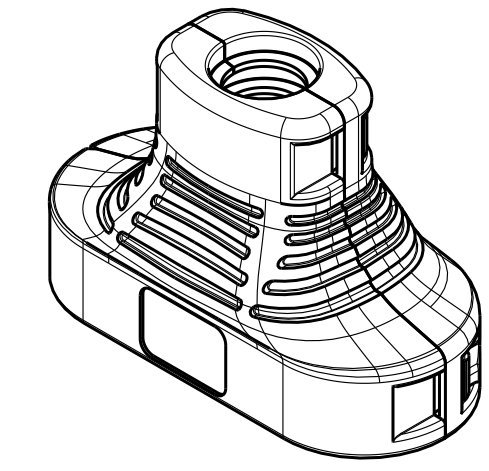
8.5 ±0.25



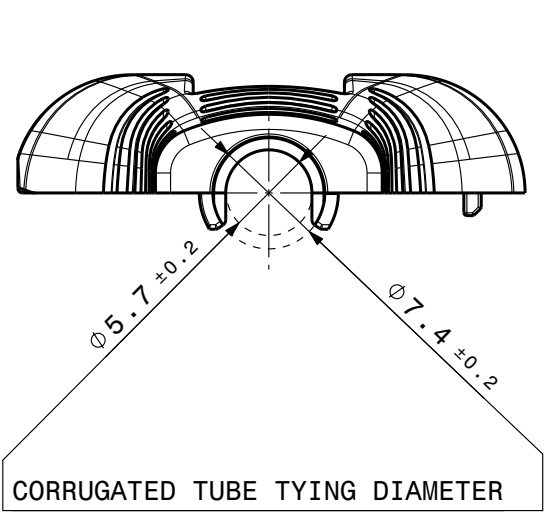
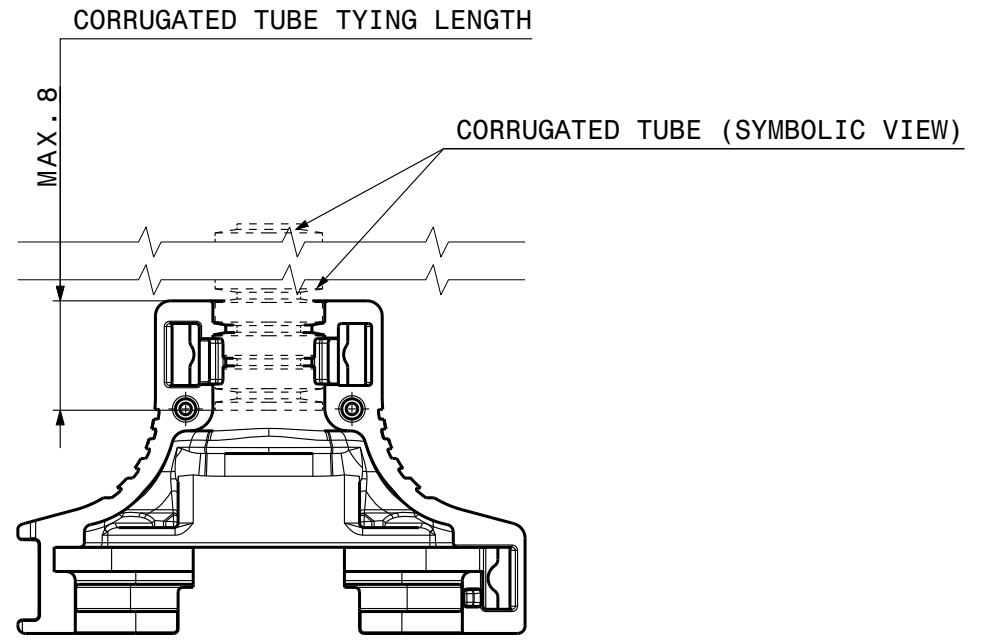
HIRSCHMANN-REVISION LEVEL RECESSED/RAISED
HIRSCHMANN-PLANT IDENTIFICATION RECESSED/RAISED

ISOMETRIC VIEW*

*CLOSED VIEW; DOES NOT CORRESPOND TO THE DELIVERY STATUS.



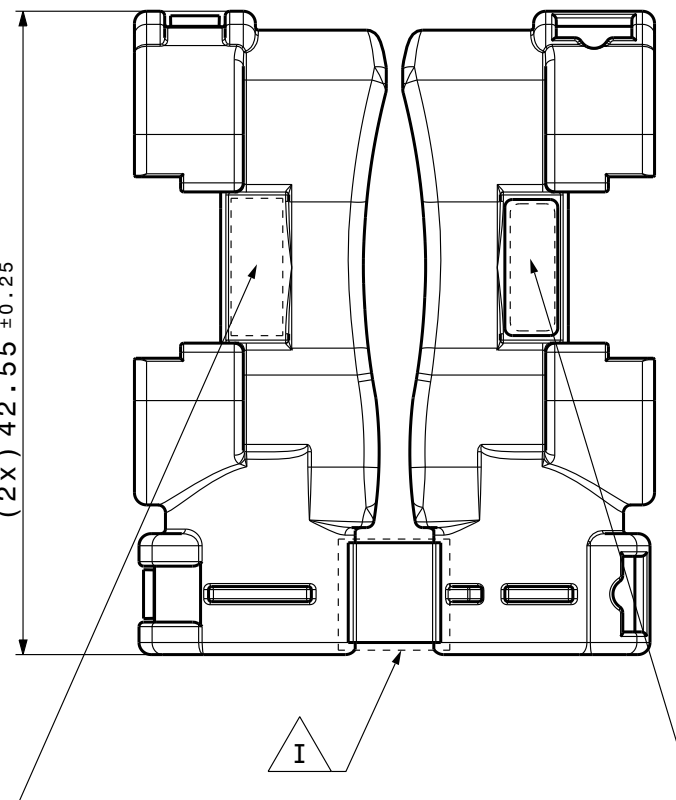
HALF-SHELLS VIEW / SYMBOLIC IMAGE



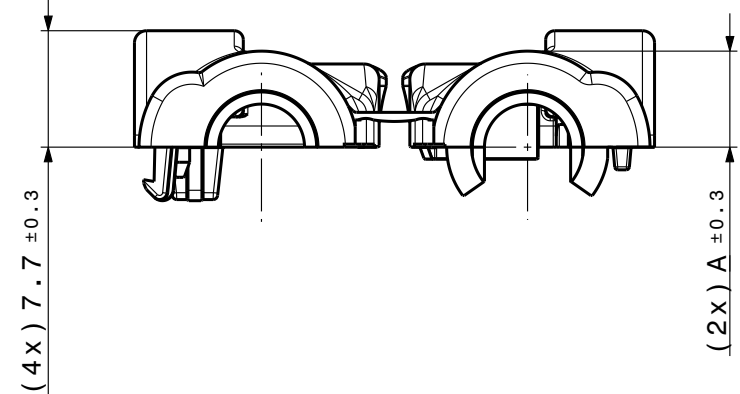
CORRUGATED TUBE TYING DIAMETER

EDITION 90°

MOLD CAVITY NO.
FONT LEANT ON DIN 1451 1E2
RECESSED/RAISED
DATE STAMP
RECESSED/RAISED
HIRSCHMANN NO.
FONT LEANT ON DIN 1451 1E1
RECESSED/RAISED

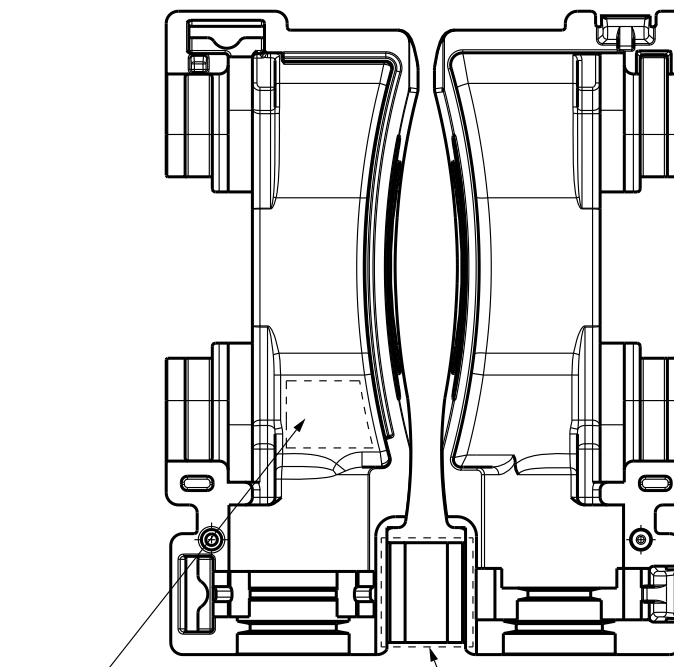
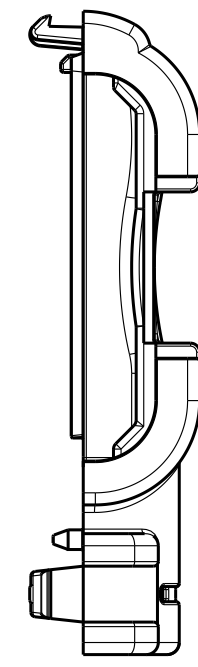


FIELD RECESSED/ RAISED
HIRSCHMANN SIGN RECESSED/ RAISED
MATERIAL LABEL FONT LEANT ON DIN 1451 1E1 RECESSED/RAISED
MATERIAL: PA6
RECESSED/ RAISED



(4x) 7.7 ±0.3

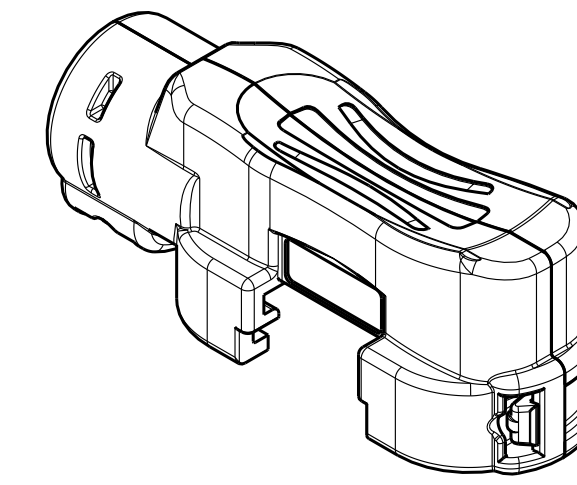
(2x) 1.8 ±0.3



HIRSCHMANN-REVISION LEVEL RECESSED/RAISED
HIRSCHMANN-PLANT IDENTIFICATION RECESSED/RAISED

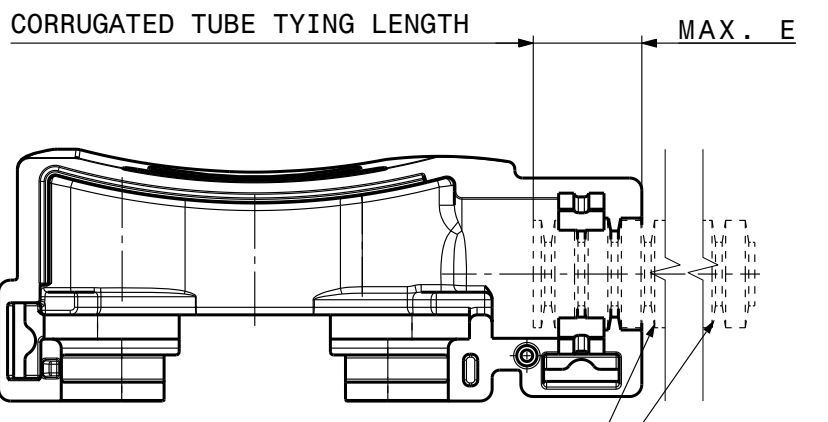
ISOMETRIC VIEW NW 4.5*

*CLOSED VIEW; DOES NOT CORRESPOND TO THE DELIVERY STATUS.



MOUNTING GEOMETRY FOR CORRUGATED TUBE NW 4.5 / NW 7.5

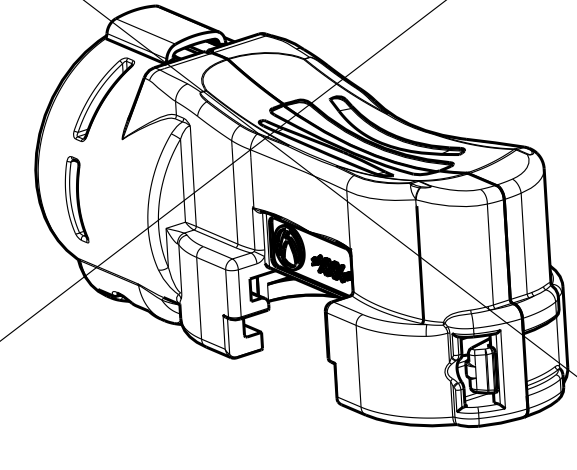
HALF-SHELLS VIEW / SYMBOLIC IMAGE



CORRUGATED TUBE TYING DIAMETER

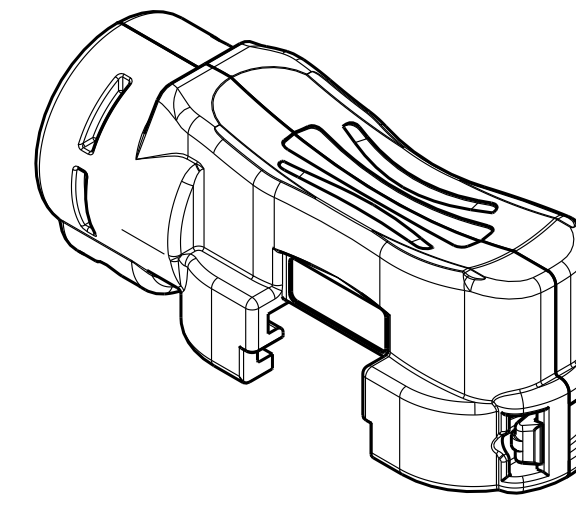
ISOMETRIC VIEW NW 8.5*

*CLOSED VIEW; DOES NOT CORRESPOND TO THE DELIVERY STATUS.



ISOMETRIC VIEW NW 7.5*

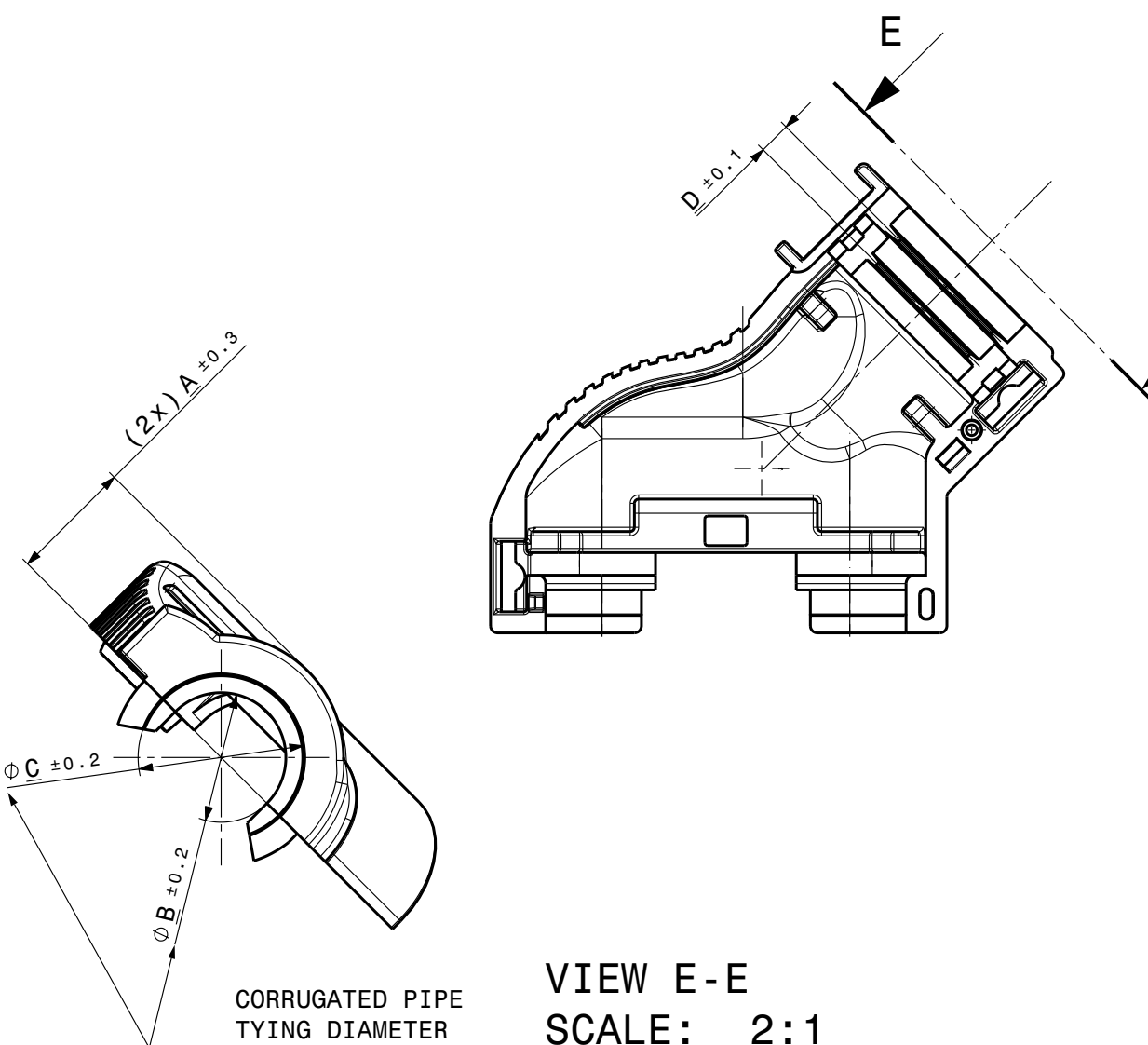
*CLOSED VIEW; DOES NOT CORRESPOND TO THE DELIVERY STATUS.



MOUNTING GEOMETRY FOR CORRUGATED TUBE NW 8.5

HALF-SHELLS VIEW / SYMBOLIC IMAGE

MISSING DIMENSION E SEE MOUNTING GEOMETRY FOR CORRUGATED TUBE NW7.5

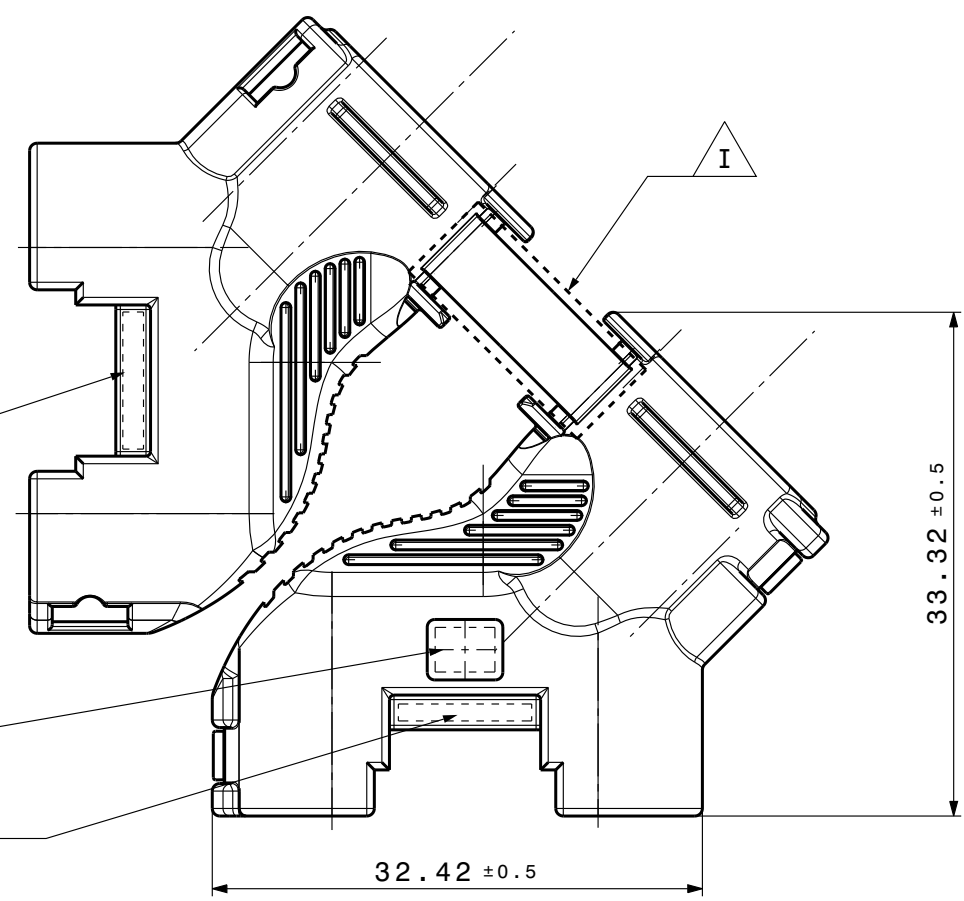


CORRUGATED PIPE TYING DIAMETER

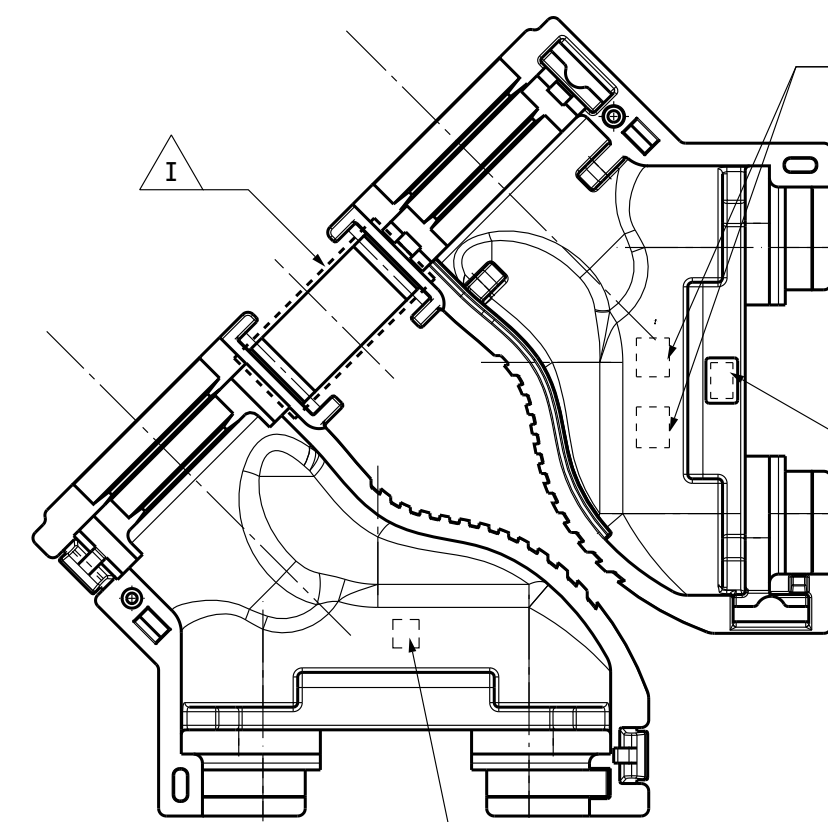
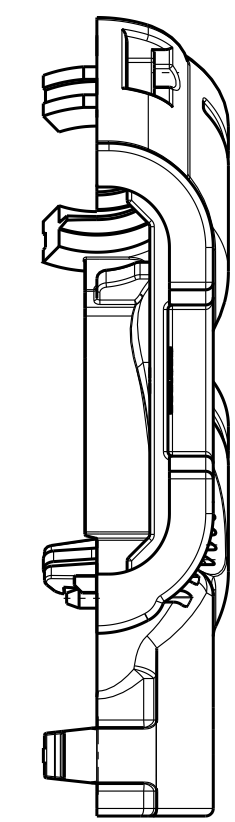
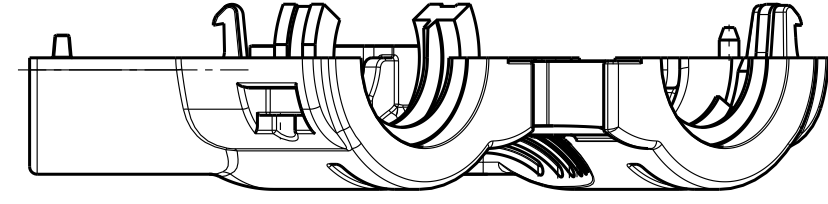
VIEW E-E
SCALE: 2:1

EDITION 45°

HIRSCHMANN NO.
FONT LEANT ON DIN 1451 1E1 ONLY RAISED
HIRSCHMANN SIGN RECESSED/RAISED
MATERIAL LABEL FONT LEANT ON DIN 1451 1E1 ONLY RAISED



33.32 ±0.3



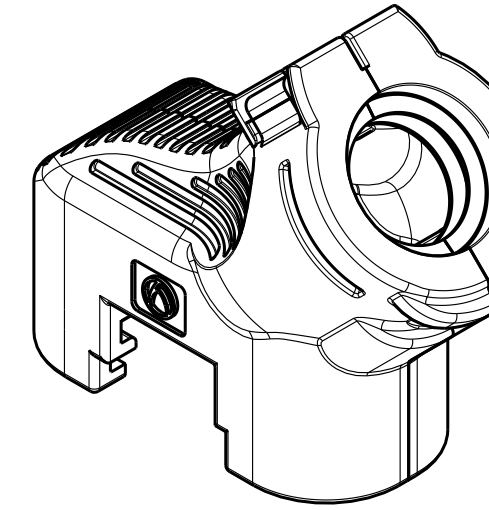
DATE STAMP RECESSED/RAISED
STAMP ± STAMP

MOLD CAVITY NO.
FONT LEANT ON DIN 1451 1E1
RECESSED/RAISED

HA REVISION LEVEL RECESSED/RAISED

ISOMETRIC VIEW*

*CLOSED VIEW; DOES NOT CORRESPOND TO THE DELIVERY STATUS.



GENERAL TOLERANCES FOR UNTOLERATED DIMENSIONS:

- 1. ANGLE-DIMENSIONS (°) TOLERANCE FOR ALL ANGLE-DIMENSIONS: ±2°
- 2. RADII: (mm)

TO 1	1-3	3-10	10-20	20-30	30-50
±0.2	±0.3	±0.4	±0.5	±1	±2
- 3. DISTANCE-DIMENSIONS: DIN 2768-MS
- 4. GENERAL TOLERANCE FOR SYMMETRY: ±0.2

KEY-FACTS:

TEMPERATURE AREA ACC. LV124 2013-02	TEMPERATURE COLLECTIVE 4
FLAME RESISTANCE ACC UL94 (ACC. DATA SHEET)	HB

COMMENTS:

- 1. EDITION AXIAL AND 90° IS SHOWN
- 2. DELIVERY STATUS AS DRAWN AS BULK GOOD.
- 3. ENGLISH TEXT IS VALID
- 4. MISSING DIMENSIONS SEE CAD-MODEL. THEREFORE THE GENERAL-TOLERANCES ARE VALID
- 5. DESIGN DEVIATIONS COMPARED WITH DETAIL DRAWINGS ARE INSIGNIFICANT. THE DETAIL DRAWINGS ARE VALID.
- 6. PART CORRESPONDS TO EU SCRAP CAR GUIDELINE 2000/53/EG
- 7. CHANGES BASED ON TECHNICAL PROGRESS ARE IN THE DECISION OF THE MANUFACTURER! DETAILS OF IMPLEMENTATION ARE LEFT TO MANUFACTURER.
- 8. MAX. 30% RECLAIM PERMITTED
- 9. PART IDENTIFICATION SIMILAR DIN 1451
- 10. DRAFT ANGLE WITHIN TOLERANCE.
- 11. MAX. SPLIT LINE 0.2
- 12. MAX. BURR 0.3

MARKED AREA: SURFACE STRUCTURE CHANGES (WITHOUT ANY EFFECT ON THE FUNCTIONALITY) ARE POSSIBLE, ESPECIALLY AFTER MOUNTING.

02 1 CHANGED INDEX A01 TO 501; ADDED INDEX A11	24.11.2022	PH
01 4 ADDED EDITION 45°; ADDED INDEX 506-A01 and 368-A01; ADDED NW 8.5 TO TABLE	10.11.2022	PH
000 INITIAL RELEASE	15.12.2020	PH

OPERATOR	DESIGNER	TOLERANCE ENGINEERING	TITLE / RENAMING	CATIA V5
DATE	DATE	DATE	Sway SealStar Protective Cap NW 4.5/7.5	SCALE / MSTR
24.11.2022	24.11.2022	24.11.2022	SUBTITLE / ZUSATZ TEXT	2:1
29.11.2022	29.11.2022	29.11.2022	FORMAT	A0
29.11.2022	29.11.2022	29.11.2022	SHEET / BLATT	1/1

HIRSCHMANN AUTOMOTIVE

DRAWING NO. 707-136-00

Controlled status available in the system!

700-900-A01	A					90°	-3.7	BLACK-SIMILAR-RAL9005	Sway Protective Cap 90° NW 8.5											
707-956-501 (707-956-A11)	A	8.7	9.2	11.8	2.3	9	45°	-4.2	BLACK-SIMILAR-RAL9005	Sway Protective Cap 45° NW 8.5	872-860-...00 Sway 1.2 SealStar F Connector	5x 0.75mm ²	5x 1mm ²	5x 1mm ²	5x 1mm ²					
707-138-501	A	PA6	7.8	7.6	10.3	2.7	9	-3.5	BLACK-SIMILAR-RAL9005	Sway 1.2 Protective Cap 90° NW7.5	805-123-...00 Sway 1.2 SealStar F Connector	5x 0.75mm ²	5x 1mm ²	5x 1mm ²	5x 1mm ²					
707-137-501	A		6.35	5.7	7.4	2.2	9	-3.2	BLACK-SIMILAR-RAL9005	Sway 1.2 Protective Cap 90° NW4.5	805-992-...00 Sway 1.2 SealStar HMK F Connector	5x 0.75mm ²	5x 1mm ²	5x 1mm ²	5x 1mm ²					
707-136-501	A						AXIAL	-2.7	BLACK-SIMILAR-RAL9005	Sway 1.2 Protective Cap Axial NW4.5	805-200-...00 4way 2.8 SealStar F Connector	1x 2.5mm ² / 3x 0.75mm ²	2x 2.5mm ² / 2x 1.5mm ²	4x 2.5mm ²	4x 2.5mm ²					
707-136-501	A						AXIAL	-2.7	BLACK-SIMILAR-RAL9005	Sway 1.2 Protective Cap Axial NW4.5	807-874-...00 4way 2.8 SealStar F Connector	1x 2.5mm ² / 3x 0.75mm ²	2x 2.5mm ² / 2x 1.5mm ²	4x 2.5mm ²	4x 2.5mm ²					
PART NUMBER:	REVISION:	MATERIAL:	A	B	C	D	E	EDITION:	WEIGHT (g)	COLOR:	COMMENT:	MATCHING HIRSCHMANN CONNECTOR	NW 4.5	NW 7.5	NW 8.5					
HIRSCHMANN AUTOMOTIVE			DIMENSION																	
												MAX. ASSORTMENT CABLE TYPE FLR								