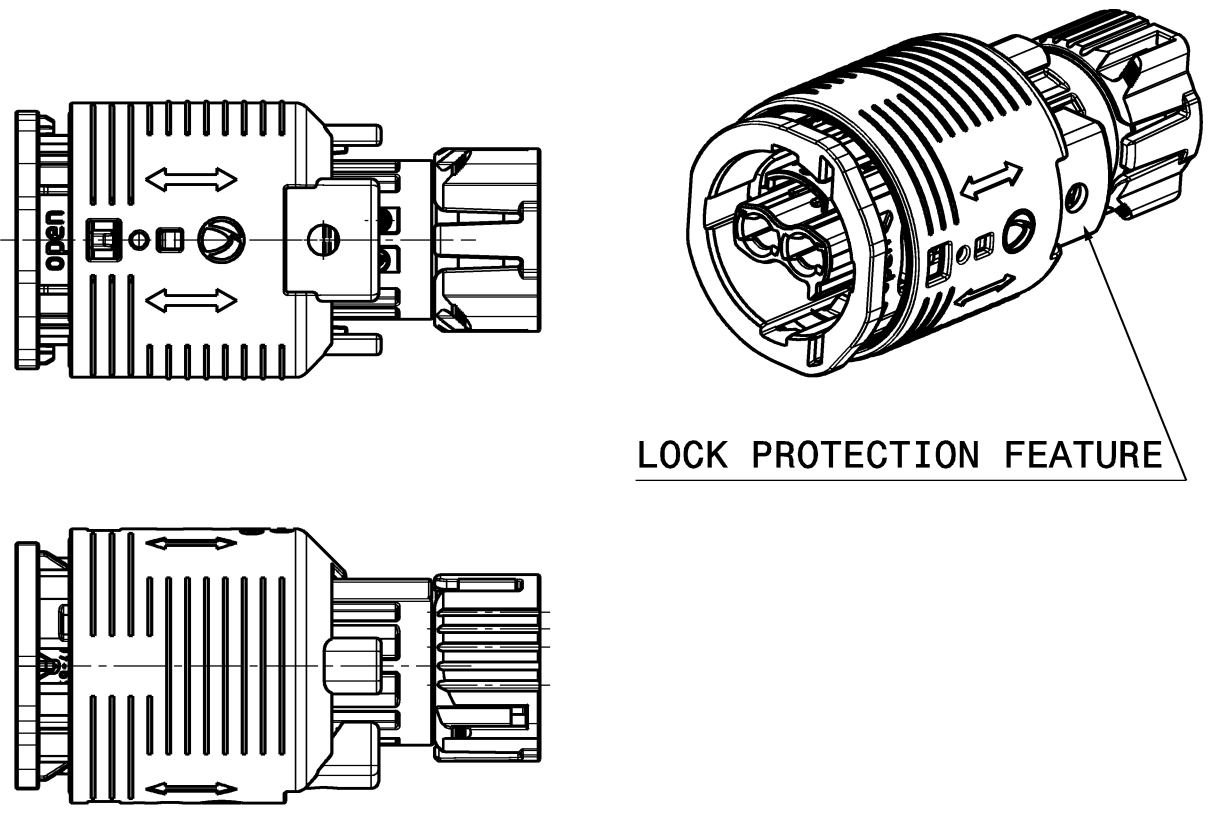


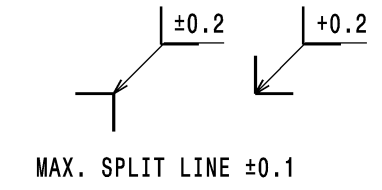
OPTION 2
WITH LOCK PROTECTION

OPTION 1

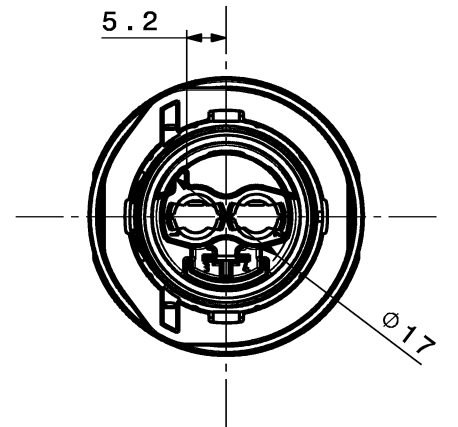


LOCK PROTECTION FEATURE

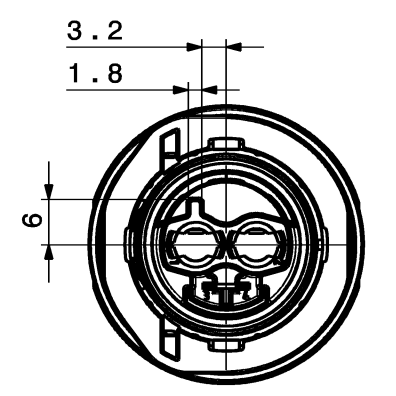
- TOLERANCES FOR UNTOLERATED DIMENSIONS:
- ANGLE-DIMENSIONS (IN °)
 - TOLERANCE FOR ALL ANGLE-DIMENSIONS: ±2°
 - RADI : (IN mm)
 - TO 1 1-3 3-10 10-20 20-30 30-50
 - ±0.2 ±0.3 ±0.4 ±0.5 ±1 ±2
 - DISTANCE-DIMENSIONS: DIN 2768-mH
 - GENERAL TOLERANCE FOR SYMMETRY: ±0.2



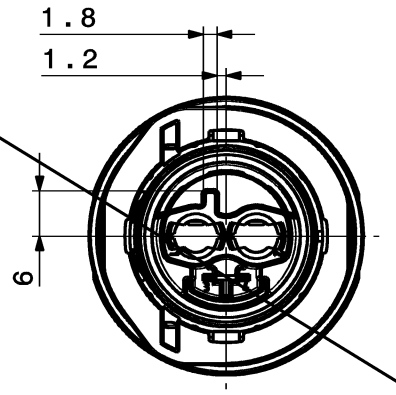
KEYING A
Scale: 1:1



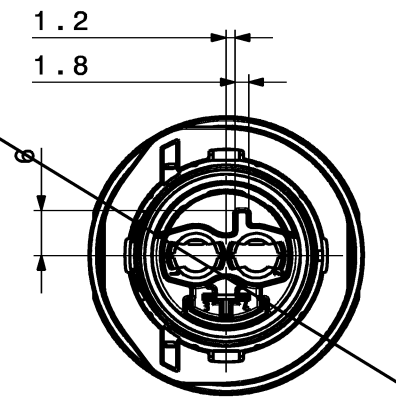
KEYING B
Scale: 1:1



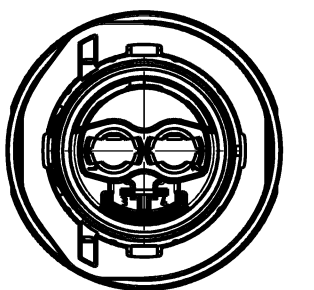
KEYING C
Scale: 1:1



KEYING D
Scale: 1:1



KEYING Z
Scale: 1:1



FEMALE HOUSING
CPA
MATERIAL: CrNi STEEL

CPA-COVER
MATERIAL: PA66 GF25
COLOR: BLACK

SEAL
MATERIAL: LSR 50 SHORE A

LOCKING SLEEVE
MATERIAL: PA66 GF35
COLOR: ORANGE

SAFETY RING
MATERIAL: PA66 GF35
COLOR: GREY

CONTACT HOLDER UNIT COD. A

CONTACT HOLDER
MATERIAL: PBT
COLOUR: WATER BLUE

SEC. LOCK
MATERIAL: PA66 GF35
COLOUR: RED

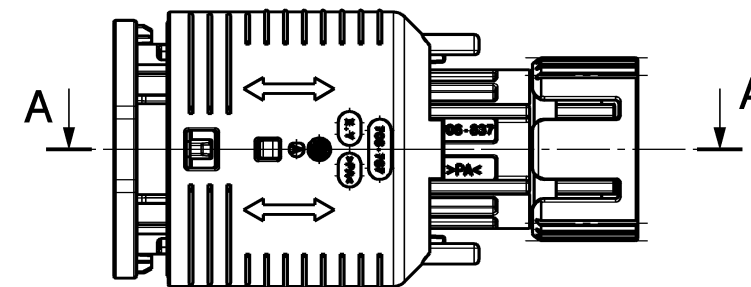
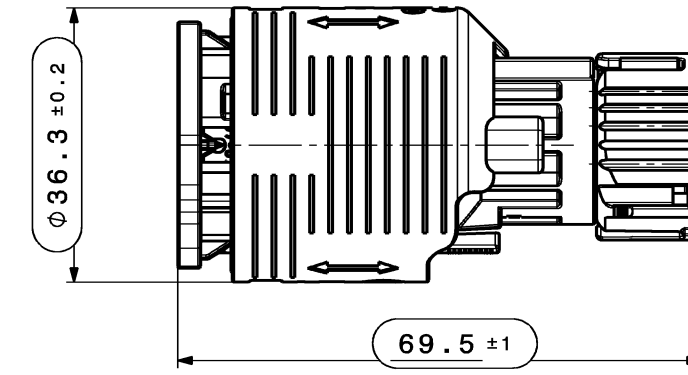
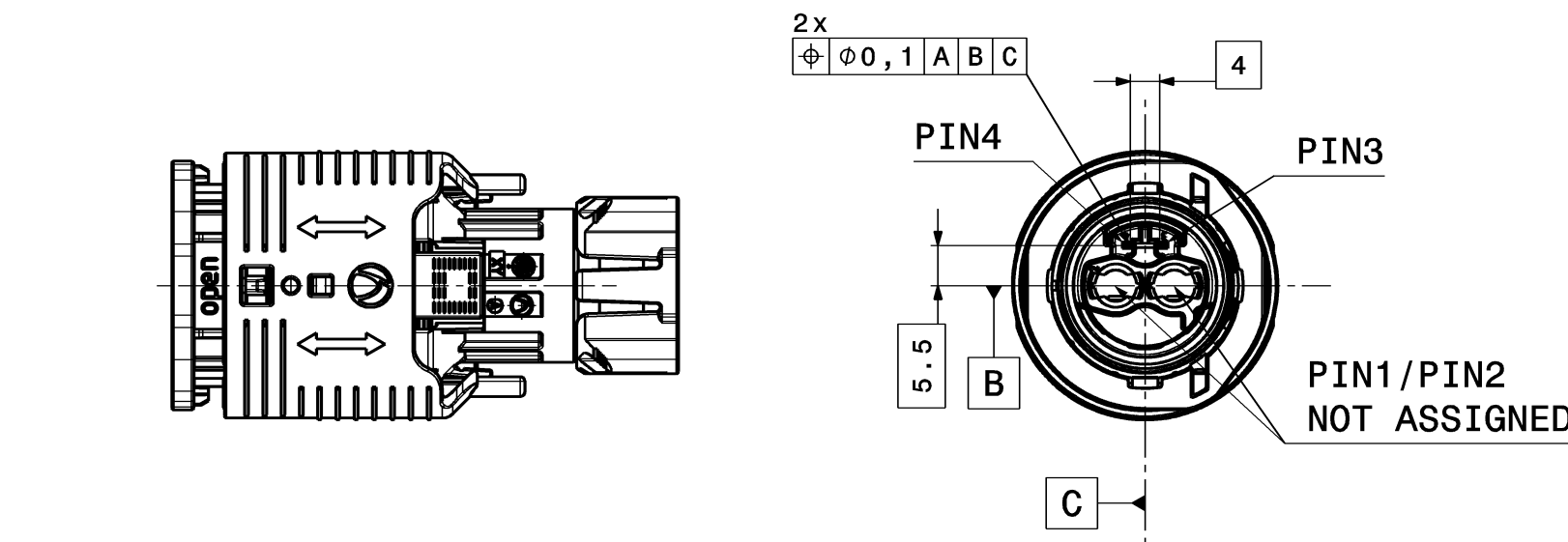
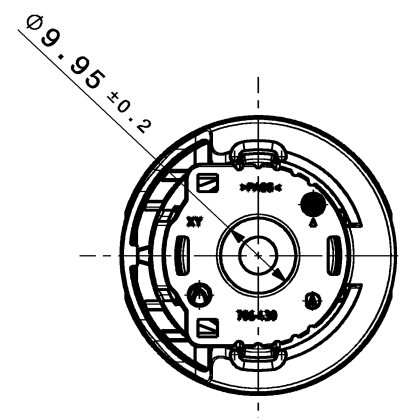
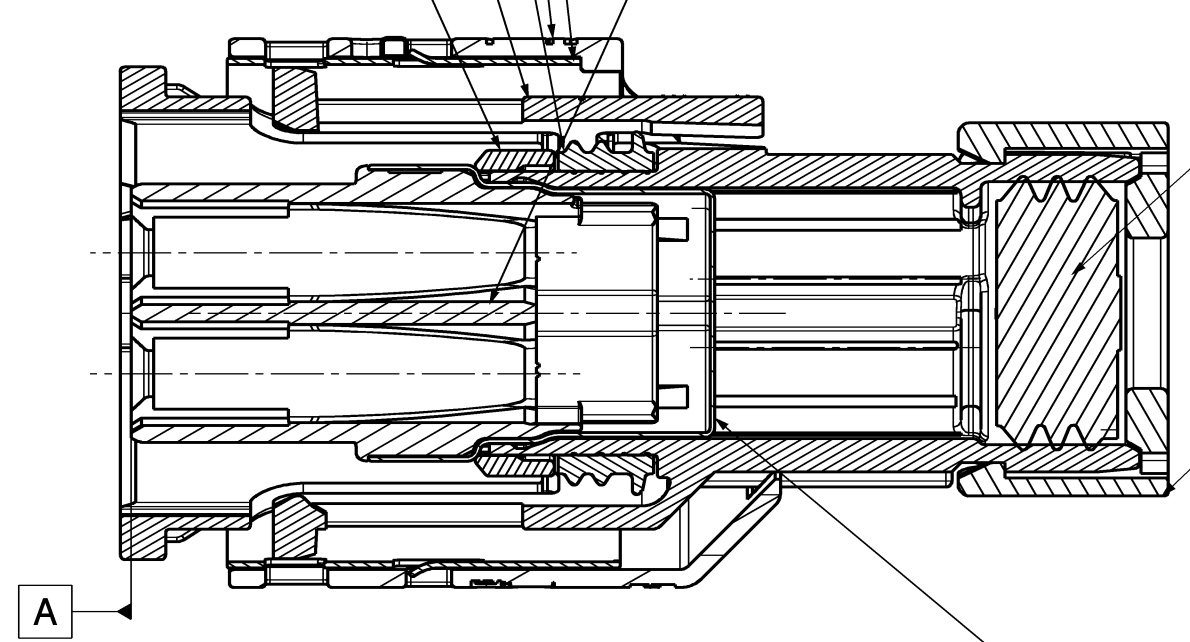
INTERLOCK BRIDGE
MATERIAL: CuSn6
SURFACE: Ag

SEAL CLOSED FOR DUMMY PLUG
MATERIAL: LSR 50 SHORE A
COLOR: WATER BLUE

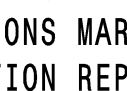
PROTECTION CAP FOR DUMMY PLUG
MATERIAL: PA66 GF25
COLOR: WATER BLUE

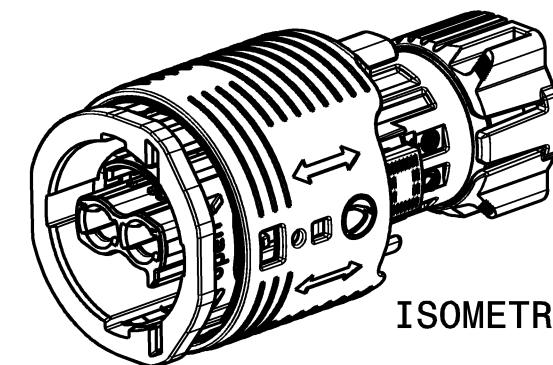
SHIELD SLEEVE CLOSED
FOR DUMMY PLUG
MATERIAL: CuZn28
SURACE: Ag

CUT SECTION A-A
SCALE: 2:1



COMMENTS:

- KEYING A DRAWN
- ALLOWABLE AMBIANT TEMPERATURE RANGE: -40°C TILL 140°C WITHIN A TIME RANGE OF 8000h, THE SPECIFIC CHARACTERISTIC CHANGES OF THE PLASTIC ACC. PLASTIC DATA SHEET
- UNDIMENSIONED RADII R0.3 +/-0.1mm
- DIMENSIONS MARKED WITH  ARE DOCUMENTED IN THE INITIAL SAMPLE INSPECTION REPORT (ISIR). UNMARKED DIMENSIONS ARE ALSO MEASURED BUT NOT DOCUMENTED IN THE ISIR. VARIATIONS MUST BE CORRECTED.
- PART CORRESPONDS TO SCRAP CAR GUIDELINE DBL 8585
- THE SPECIFIED VALUES WERE DERIVED FROM THE SPECIFIED TEST METHOD (LV214 2010-05 AND LV215 2013-05). DETAILS SEE PRODUCT SPECIFICATION OR TEST REPORT.



ISOMETRIC VIEW

	SUPPLIER NUMBER	
ACCORDING TO INTERFACE HPS40-2 2+2PIN	808-188-...106	
MATCHING TO ZB PLUG SOCKET HPS40-2 2+2PIN.	807-652-...106 809-995-...106	

	CODING	OPTION	FLAMMABILITY	WEIGHT
809-472-555	B	2	V-0	TBD
809-472-554	A	2	V-0	TBD
809-472-557	Z	1	V-0	TBD
809-472-552	B	1	V-0	TBD
809-472-551	A	1	V-0	TBD

01	INDEX -554 AND -555 ADDED	10.10.2019	MBA
00	Nicht gepflegt!	19.11.2018	RHO
Version	Revisi	date	ge
Aenderungsb			
Pruefvorschriften / test instructions			
Robust	Werkstoff	Fertig	Ro
Material-Nr.	Toleranzen	Oberfl.	Abfall
HPS40-2 DUMMY PLUG NAFTA			
HIRSCHMANN AUTOMOTIVE			
Controlled status available in the system!			