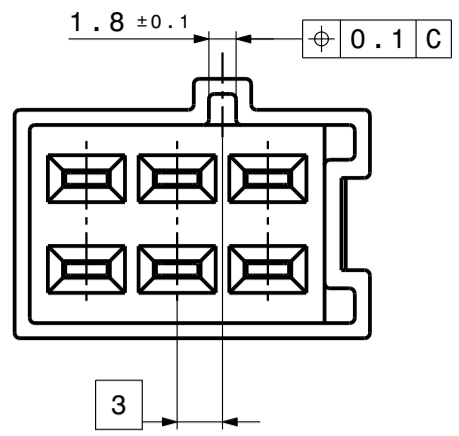
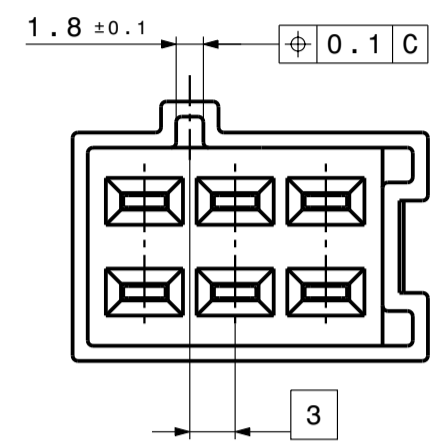


CODING:
SCALE: 2:1

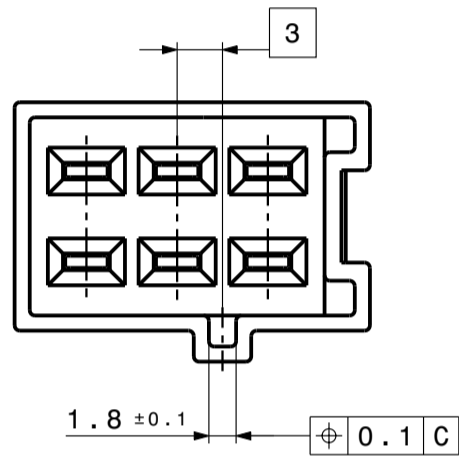
CODING A:



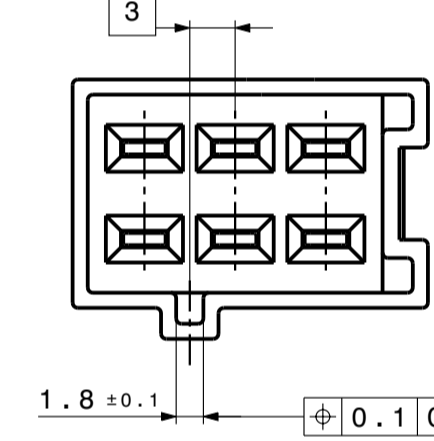
CODING B:



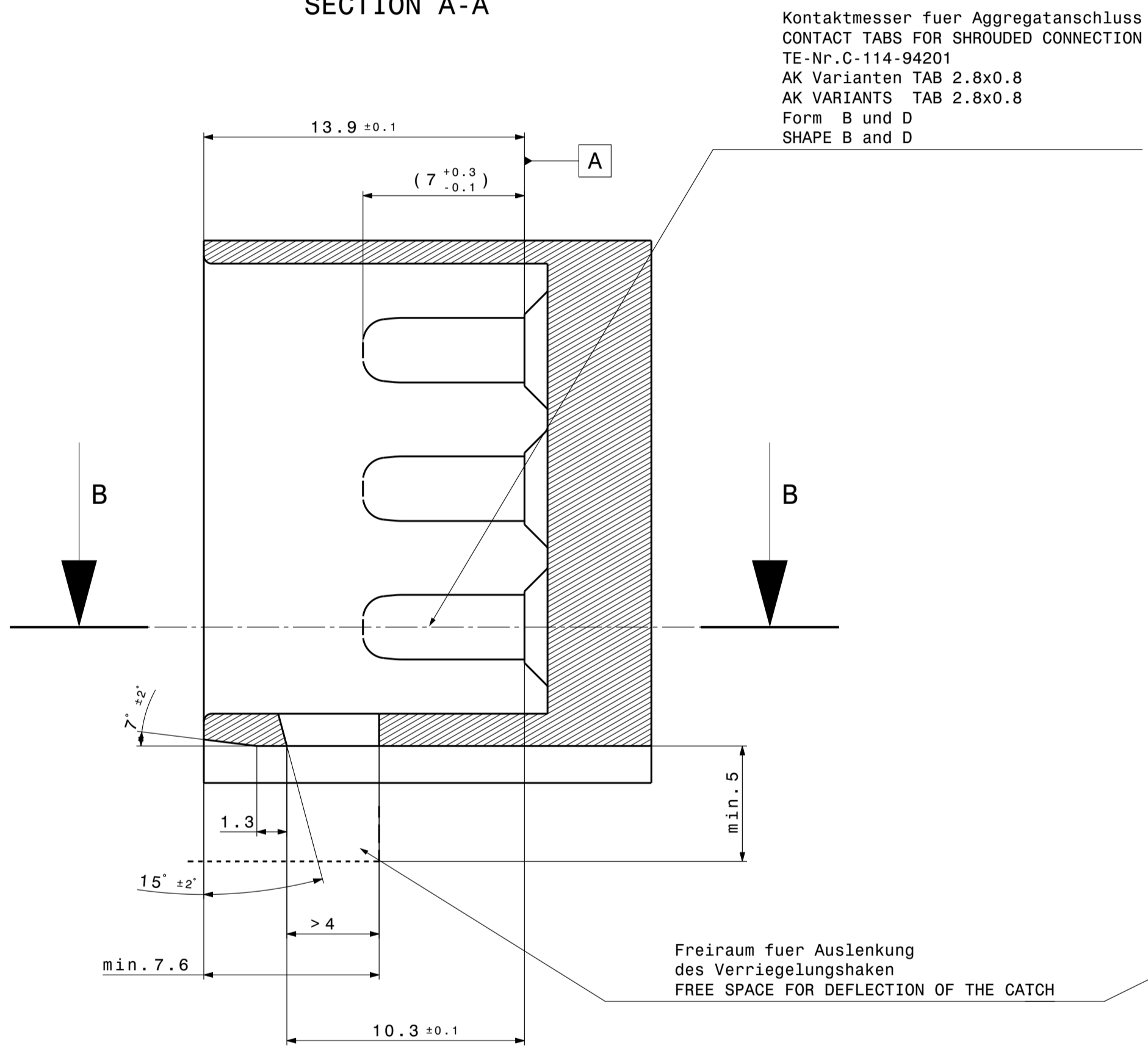
CODING C:



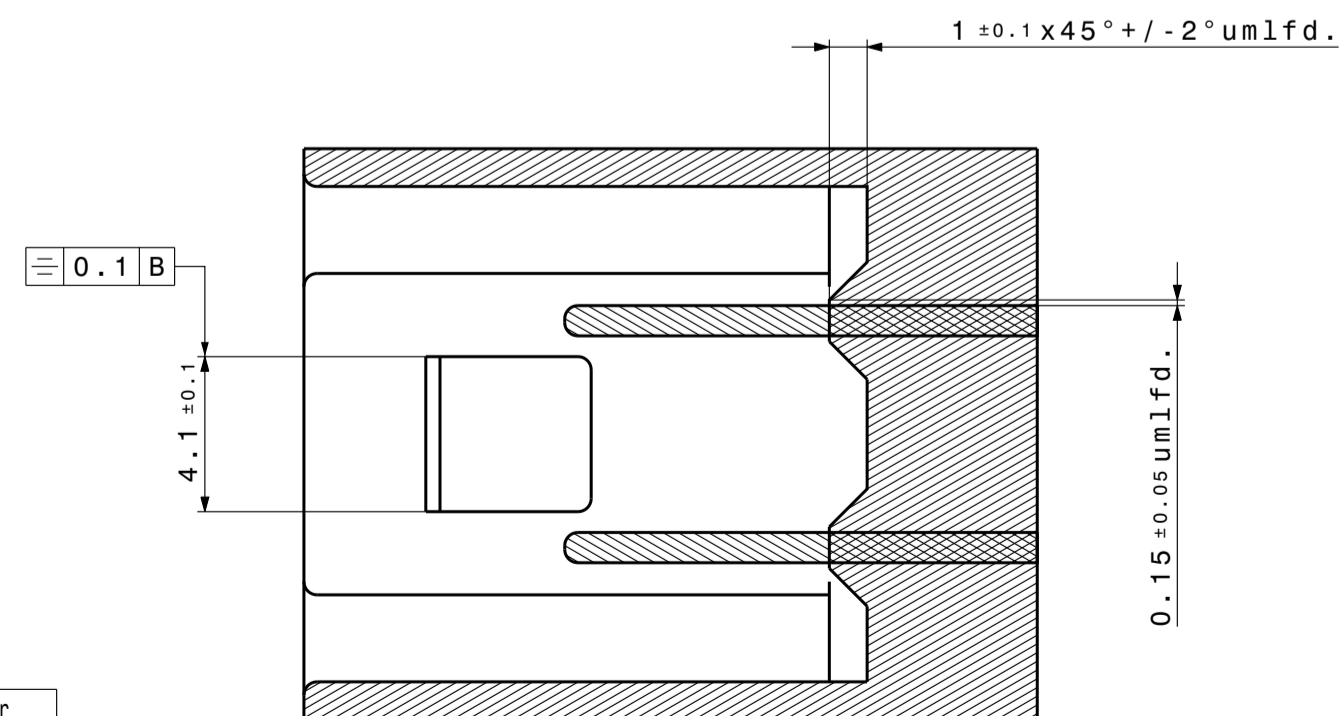
CODING D:



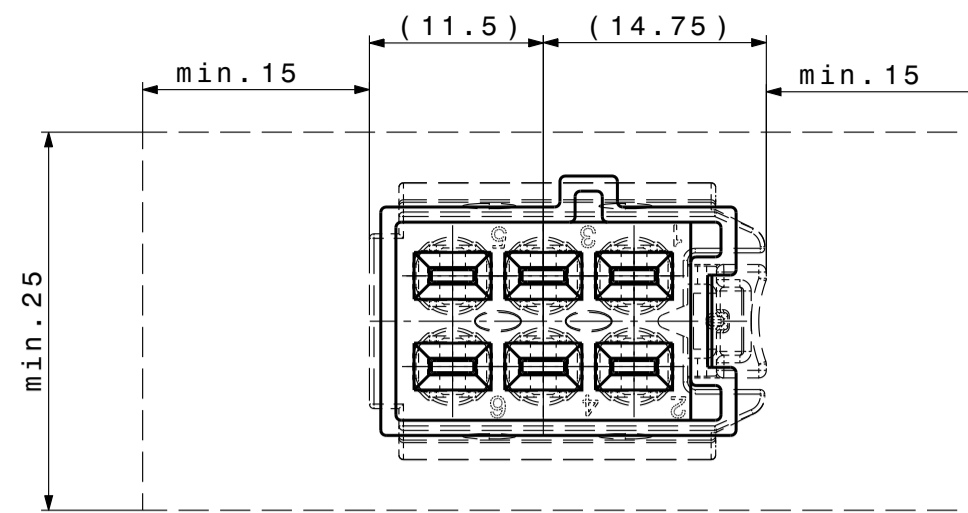
SECTION A-A



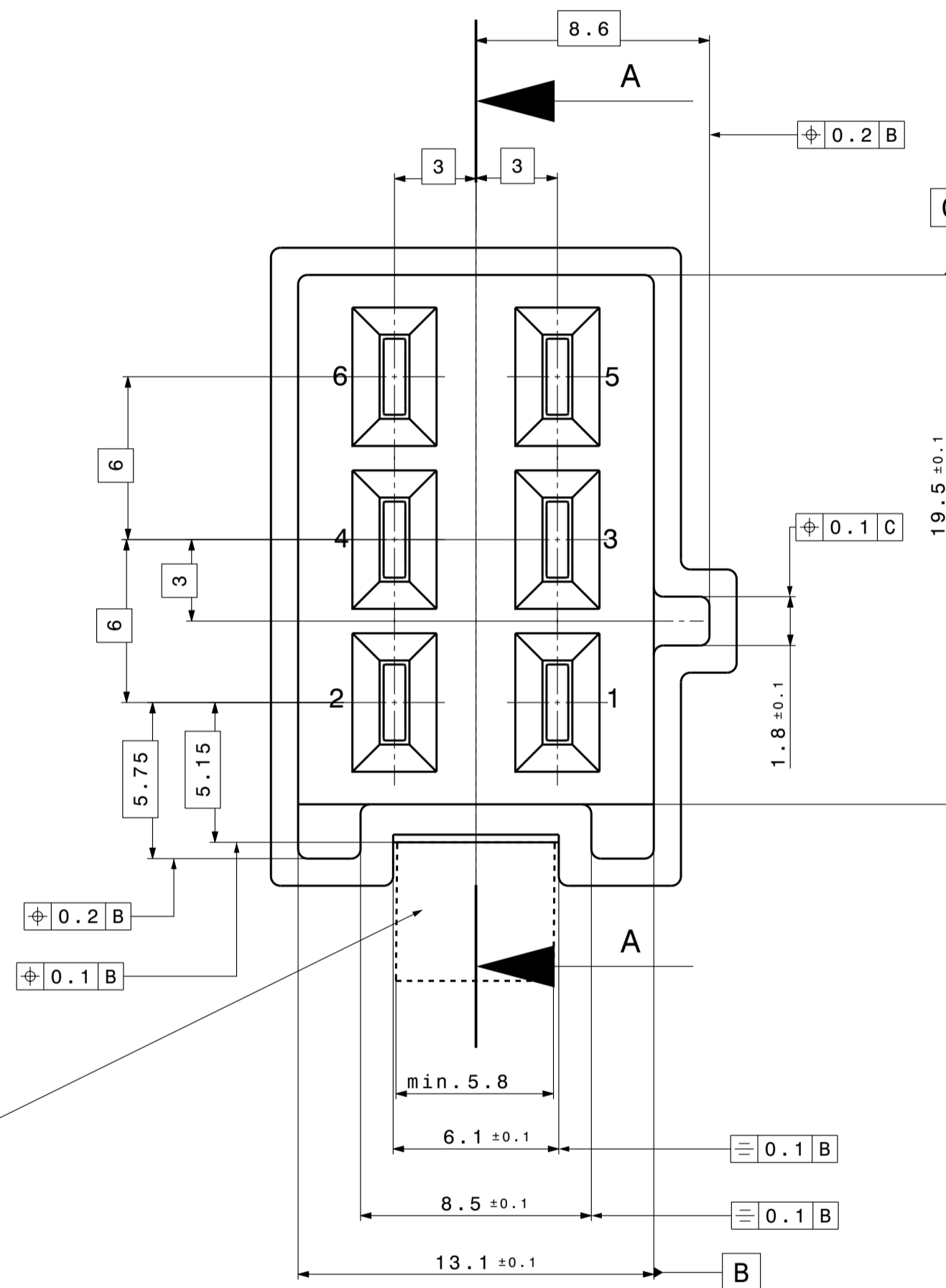
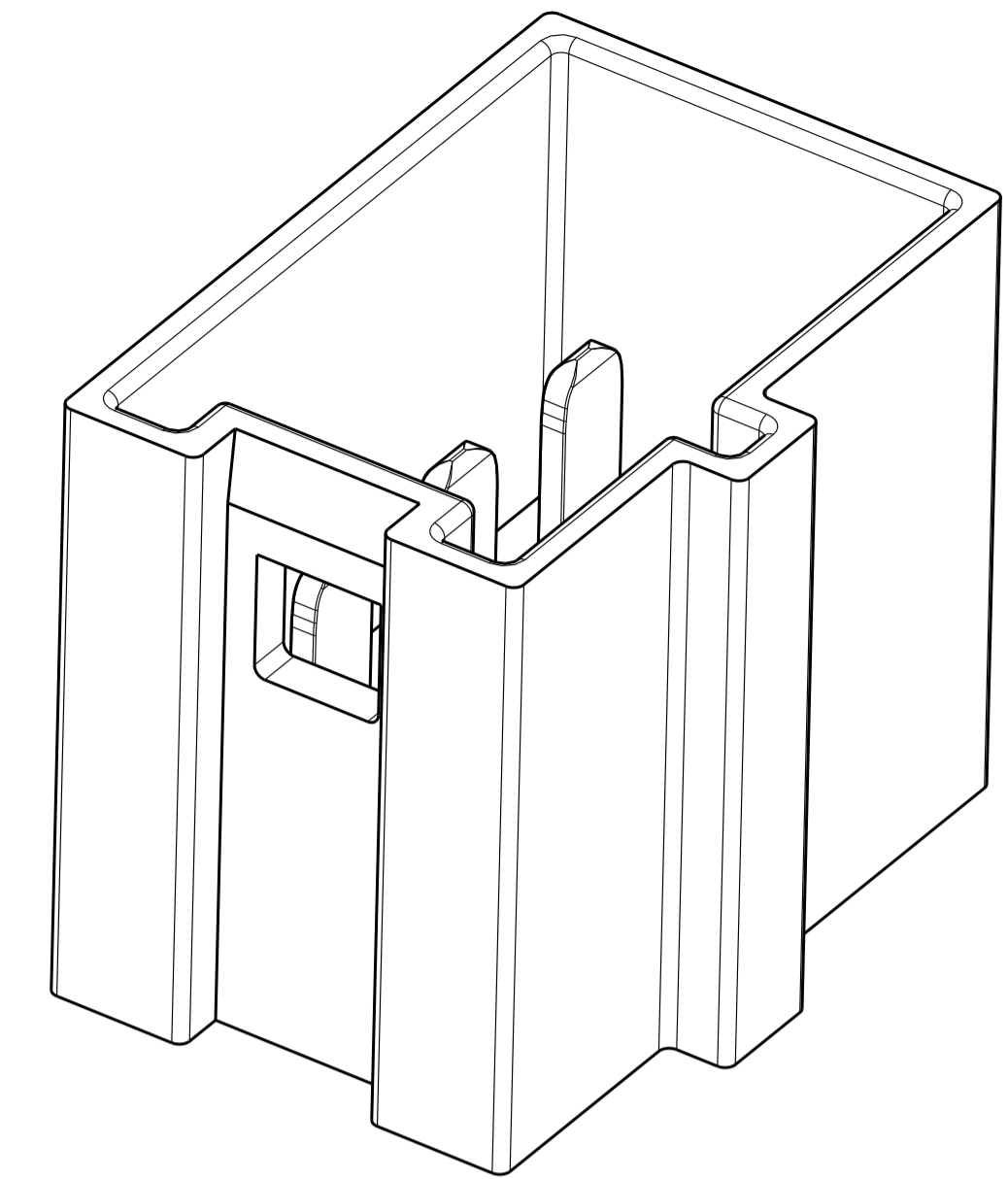
SECTION B-B



Betaetigungsfreiraum
OPERATION SPACE



Isometrische Ansicht
ISOMETRIC VIEW



GENERAL TOLERANCES FOR UNTOLERATED DIMENSIONS:

- ANGLE-DIMENSIONS [°]
TOLERANCE FOR ALL ANGLE-DIMENSIONS: ±2°
- RADII: [mm]
bis 1 1-3 3-10 10-20 20-30 30-50
±0.2 ±0.3 ±0.4 ±0.5 ±1 ±2
- DISTANCE-DIMENSIONS: DIN 2768-mH
- GENERAL TOLERANCE FOR SYMMETRY: ±0.3

CONNECTOR KEY-FACTS:

CONTACT CHAMBER:	1-6
CONTACT SYSTEM:	2.8mm
ADDITIONAL VALID DOCUMENTS:	
	HA NUMBER:
PRODUCT SPECIFICATION:	EPS-100095-00
PROCESSING SPECIFICATION:	EVS-100095-00
SPECIFICATION:	EPH-100017-00

- COMMENTS:
- CODING A IS SHOWN
 - UNDIMENSIONED WALL THICKNESS s=0.8 - 1.5mm
 - DRAFT ANGLE WITHIN TOLERANCE.
 - MAX. SPLIT LINE 0.1
 - MAX. BURR 0.3
 - UNDIMENSIONED RADII 0.35 +/- 0.1

	Lieferantennummer SUPPLIER NUMBER
Passende Kupplung MATCHING FEMALE HOUSING	706-452-...00
Passender Stecker MATCHING MALE HOUSING	706-692-...00

00	Initial Edition	17.03.2022	HKA
DESCRIPTION OF CHANGE ÄNDERUNGSBESCHREIBUNG		DATE DATUM	DRAWER ZEICHNER
TOLERANCES ACCORDING DRAWING TOLERANZEN NACH ZEICHNUNG		TITLE / BENENNUNG	
TOLERANCES: DIN ISO 8181 GENERAL TOLERANCES: ISO 2768-mH		AV-STECKERSOCKET 2X3 POL. 2.8	
TOLERANCES: DIN ISO 13715 GEOMETRIC TOLERANCES: DIN ISO 1101		SUBTITLE / ZUSATZ TEXT	
DRAWN: 17.03.2022 H.Karim Ha		FORMAT	
CHECKED: 04.05.2022 T.Burk		A1	
RELEASED: 04.05.2022 T.Burk		SHEET / BLATT	
DRAWING NO. ZEICHNUNGSNUMMER		1/1	
DRAWING NO. ZEICHNUNGSNUMMER		872-931-...00	
DRAWING NO. ZEICHNUNGSNUMMER		10000429630	
DRAWING NO. ZEICHNUNGSNUMMER		10000429630	