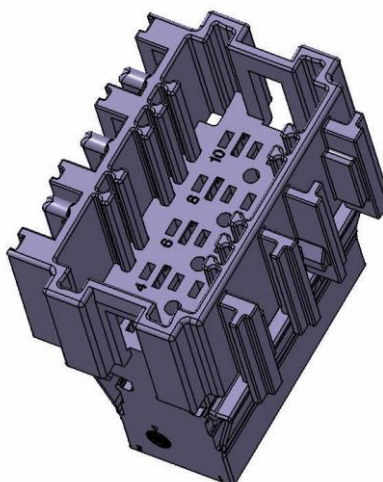
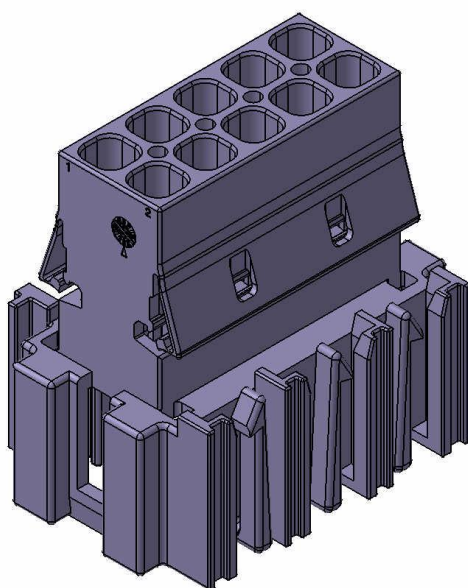




HIRSCHMANN
AUTOMOTIVE

Product Specification

10way 2.8 EasyConn M Connector



EPS-100053-00
Version 00

Content

1	General Information	3
1.1	Introduction.....	3
1.2	Applicable documents	3
2	Technical Characteristics	4
2.1	Operating Temperature	4
2.2	Retention force of the contact parts in the connector housing	4
2.3	Mounting and demounting forces	4
2.4	Error-proof design of the connectors	4
2.5	Characteristic of contact system.....	4
2.6	Material.....	5
2.7	Electrical characteristic.....	5
3	Delivery Condition / Product Components	6
4	Performed test matrix.....	7
5	Revision table	7

1 General Information

1.1 Introduction

This product specification is valid for 10way 2.8 EasyConn Male Connectors and describes its properties, executed tests and requirements.

In case of doubt, this specification has priority over the following documents.

The documents named below, provided that reference is made to them, are part of this specification. In the event of a contradiction between this specification and the product drawing or a contradiction between this specification and the documents listed, this specification takes precedence. In the event of discrepancies, the German text applies.

In case of inappropriate use deviating from this specification and the applicable documents and resulting quality problems, the right of recourse will be rejected. Detailed test reports are not published but can be inspected on site.

Product-specific deviations can be found in the respective DVP overview!

1.2 Applicable documents

a)	Processing specification EVS-100049-00	10way 2.8 EasyConn M Connector
b)	Test specification EPH-100017-00	Company Hirschmann Test Specification Electrical Connector Systems
c)	Product specification 108-18063	Company Tyco Electronics AMP MCP 2.8 Contact System / Flachstecker 2,8x0,8mm
d)	Processing specification 114-18051	Company Tyco Electronics AMP MCP 2.8 Contact System / Flachstecker 2,8
e)	TB Flat plug terminal C-1355052	Company Tyco Electronics TAB 2.8x0.8mm
f)	Deutsche Norm DIN EN 60352-2	Solder free electrical connection part 2: crimp connection
g)	Deutsche Norm DIN EN 60512	Connectors for electronic equipment- Tests and measurements



2 Technical Characteristics

2.1 Operating Temperature

Temperature range.

For contacts, see product specification of contact systems

Permissible temperature range for the plastic used:

-40°C to +130°C over a period of 3000h

2.2 Retention force of the contact parts in the connector housing

The contact removal forces from the 10way 2.8 EasyConn M Connectoren are:

F_{primary}	$\geq 80\text{N}$
$F_{\text{secondary}}$	$\geq 80\text{N}$

2.3 Mounting and demounting forces

Max. mounting force of female housing into 10way 2.8 EasyConn M Connector:

F	80N
---	-----

Max. demounting force of female housing out of 10way 2.8 EasyConn M Connector:

F	80N
---	-----

Min. retention force of female housing in 10way 2.8 EasyConn M Connector:

F	100N
---	------

2.4 Error-proof design of the connectors

Min. keying and polarizing efficiency

F	80N
---	-----

2.5 Characteristic of contact system

max. permitted conductor cross section: 4,0mm²

max. permitted conductor diameter: see released contact drawing

max. terminal insertion force:	F	$\leq 30\text{N}$
--------------------------------	---	-------------------

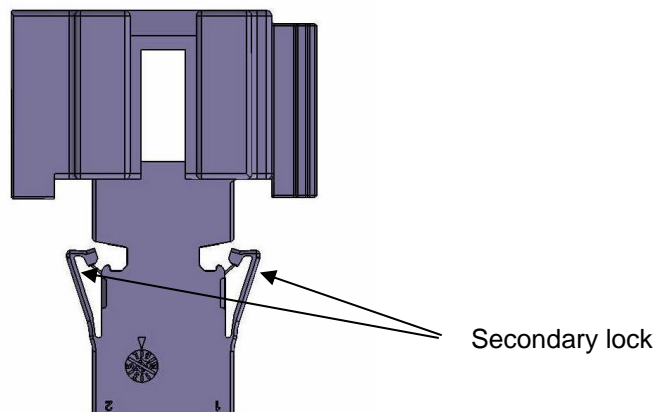
3 Delivery Condition / Product Components

The male connector consists of a housing with molded active secondary lock.

Both connectors are delivered with open secondary lock. In case the secondary lock has been partially or fully closed during transportation, it should be reopened before the contacts are inserted. How to open the secondary latch, see processing specification EVS-100049-00 section 4.2.

The male connectors have active and / or passive connection elements. The variants available in each case can be found on the customer drawing.

symbol image





4 Performed test matrix

Test		Number of poles
		10
PG 0	Inspection of as-received condition	X
PG 1	Dimensional inspection	X
PG 3	Material- and surface analysis	X
PG 4	Contact engagement length	X
PG 6	Interaction between contact and housing	
PG 7	Handling and functional reliability of the housing	X
PG 8	Insert and retention forces of the contact parts in the housing	X
PG 9	Koshiri- Safety	
PG13	Housing influence on the Derating	X
PG17	Vibration (Severity = S)	S1
PG20	Climate load of the housing	X
PG21	Long-term temperature aging	
PG22A	Chemical resistance	X
PG28	Locking noise	X

5 Revision table

Edition	Index	Editing
00	First edition	J. Neußl