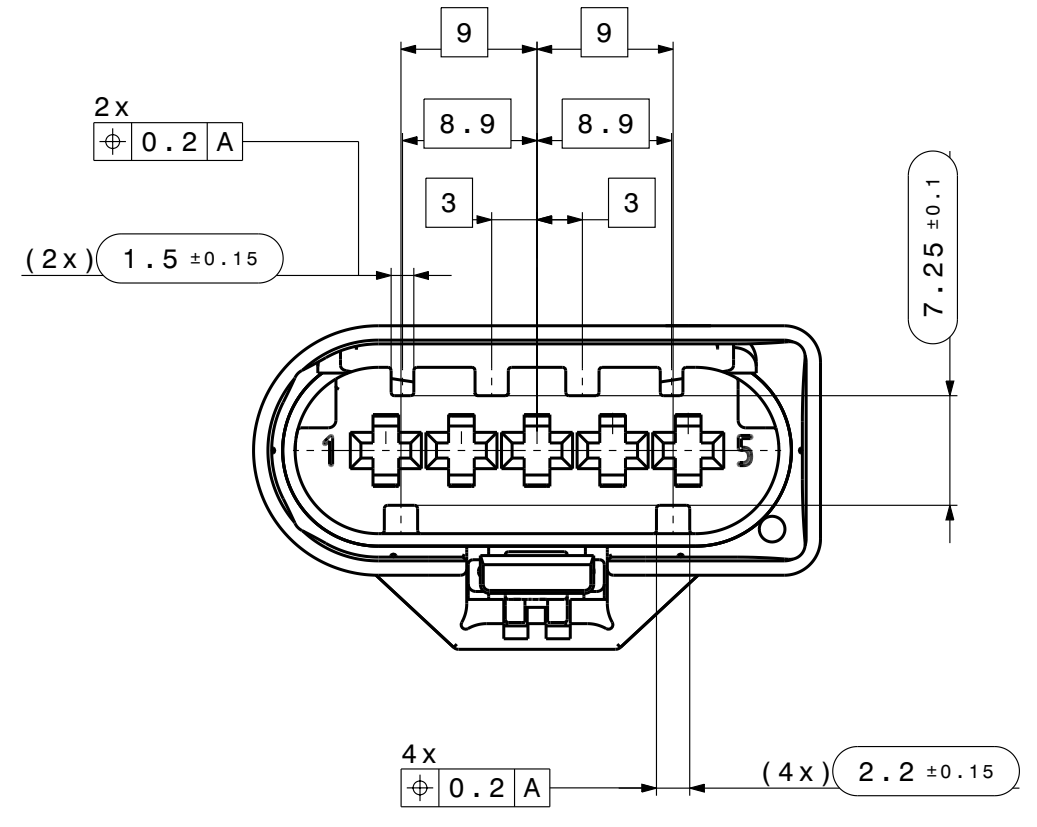
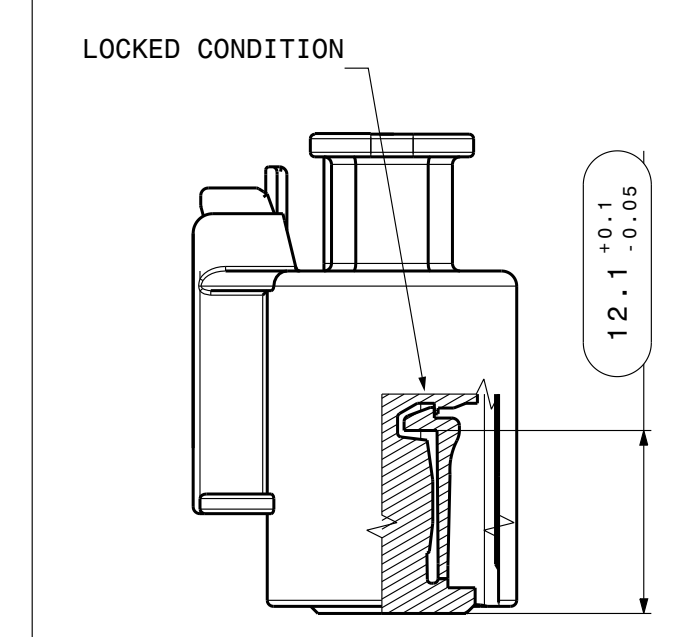


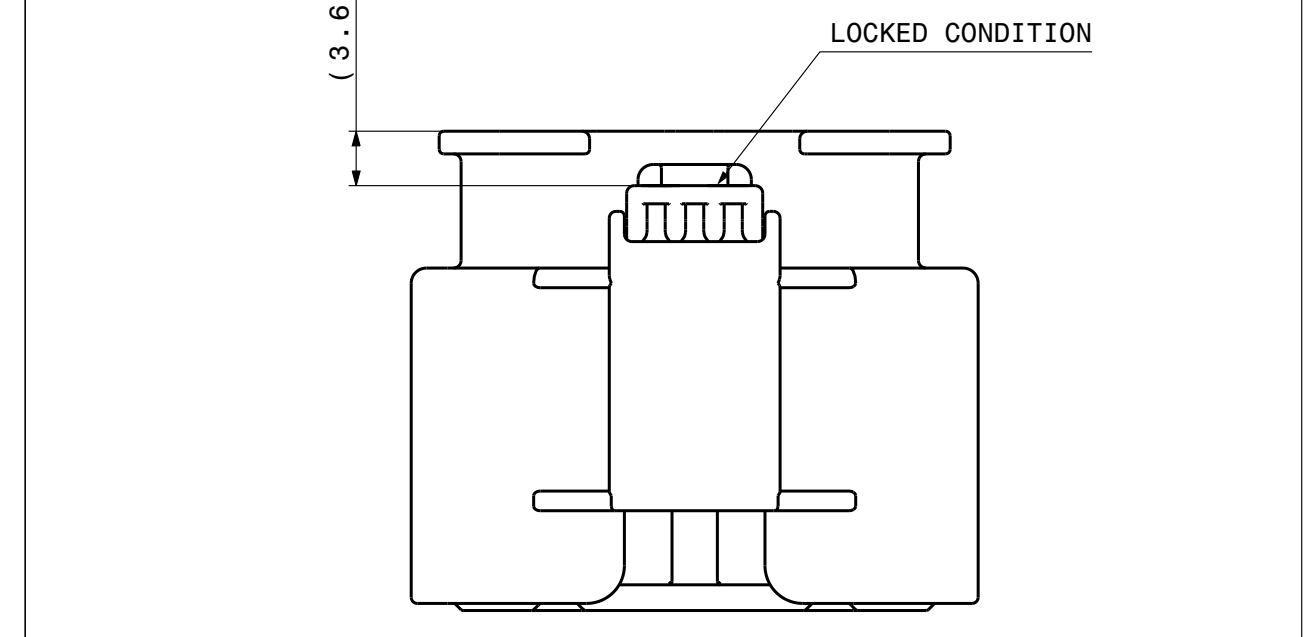
Codierung A
KEYING A



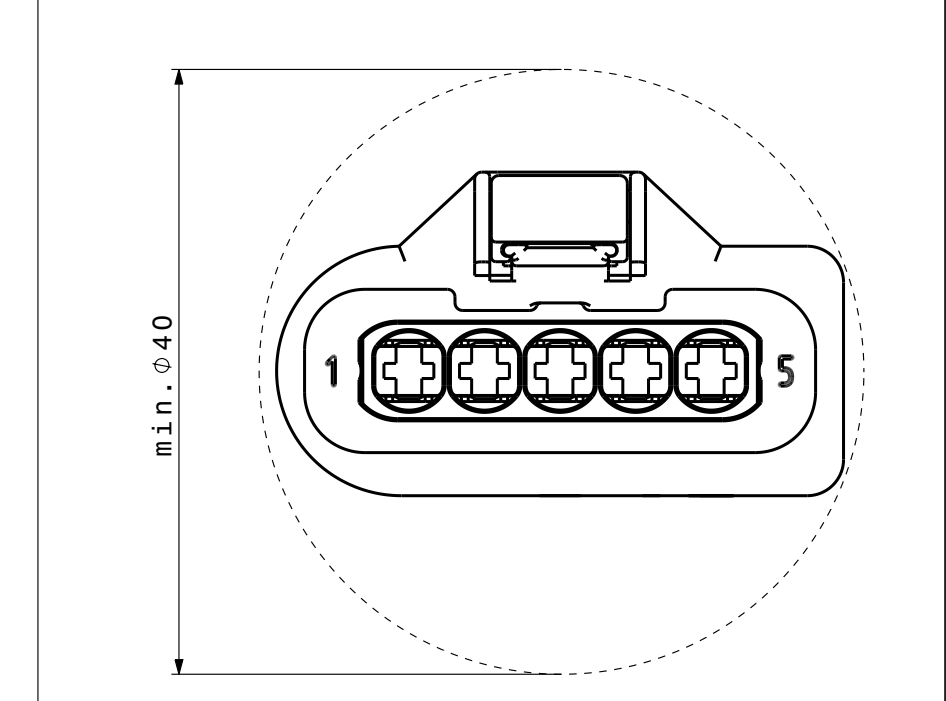
CPA AND TPA
PLUG ONLY IN LOCKED POSITION POSSIBLE
SCALE: 2:1



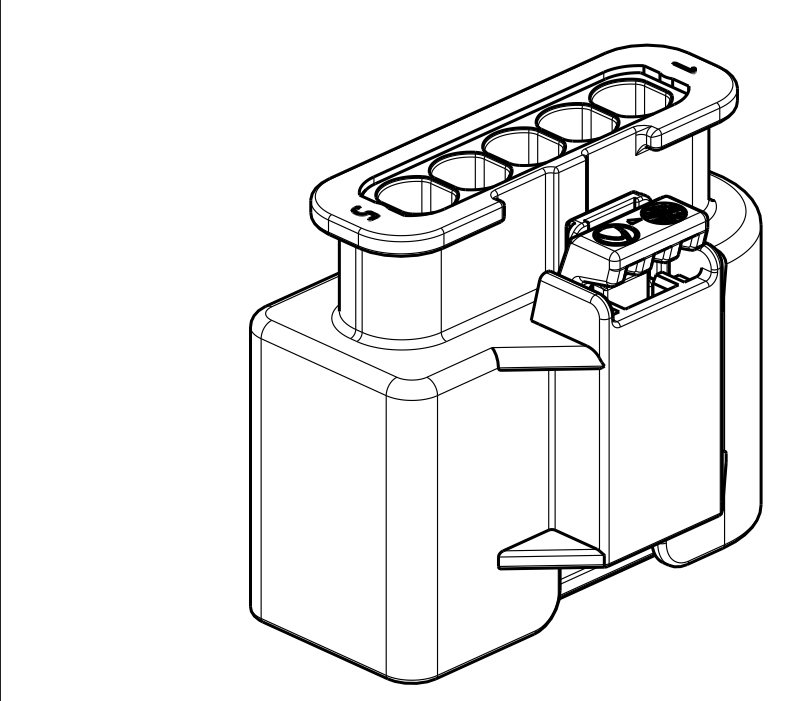
CPA ENDPOSITION:
ONLY POSSIBLE IN COMBINATION WITH INTERFACE CONNECTION AND INLINE CONNECTION
SCALE: 2:1



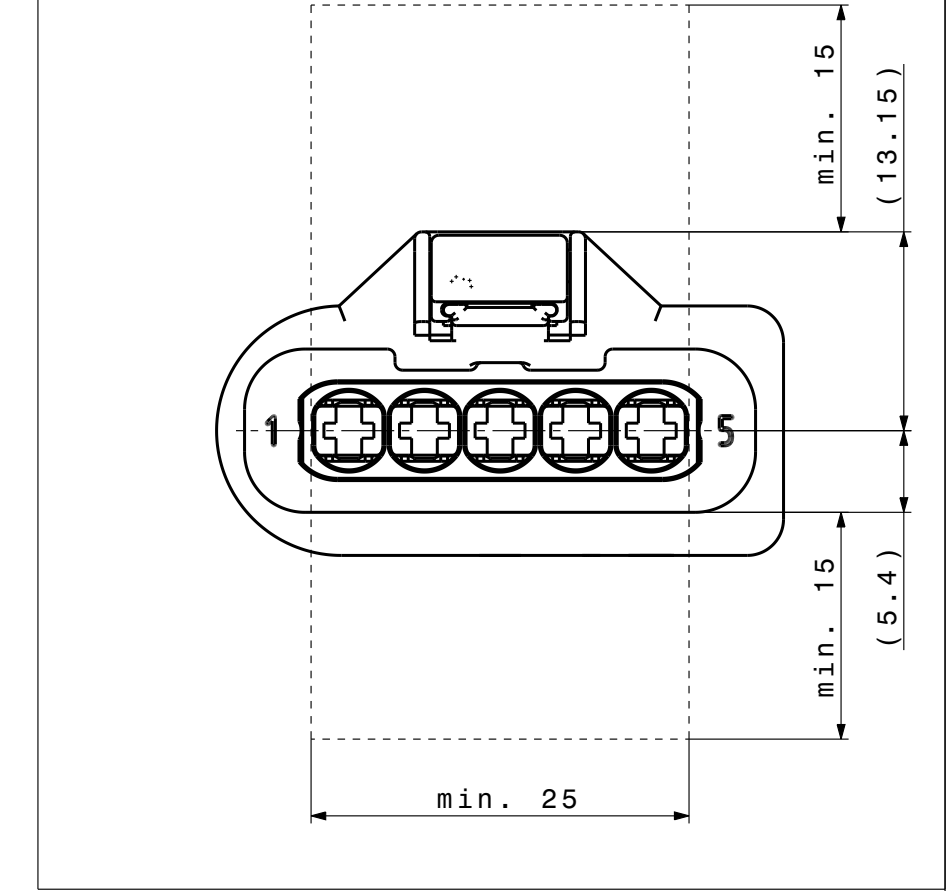
ASSEMBLY OPENING / HOLE FOR RUN-IN:
SCALE: 2:1



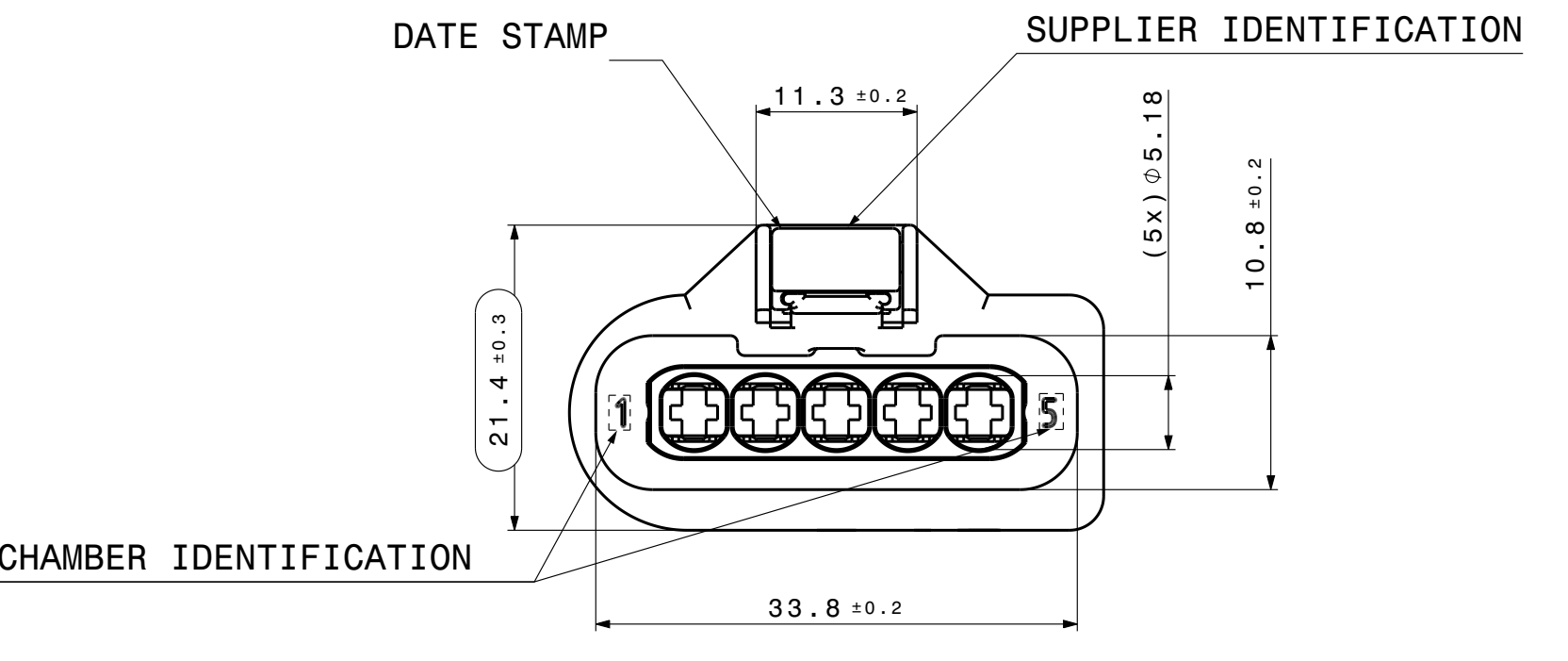
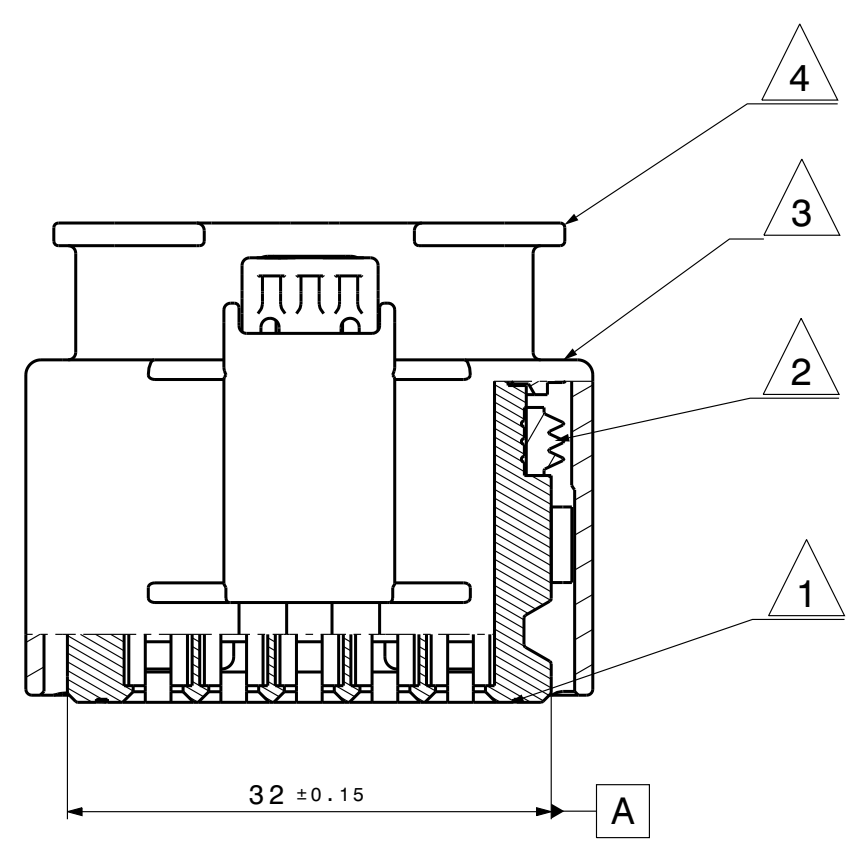
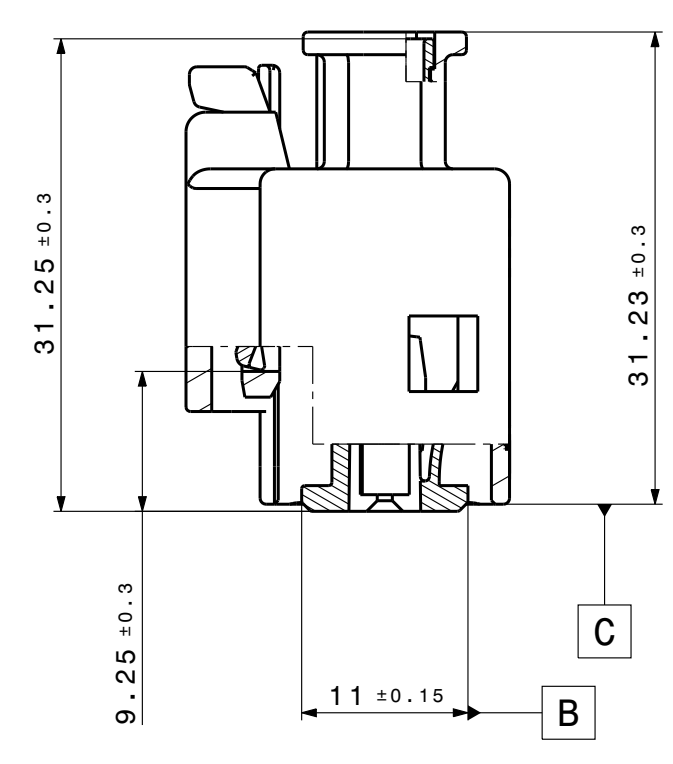
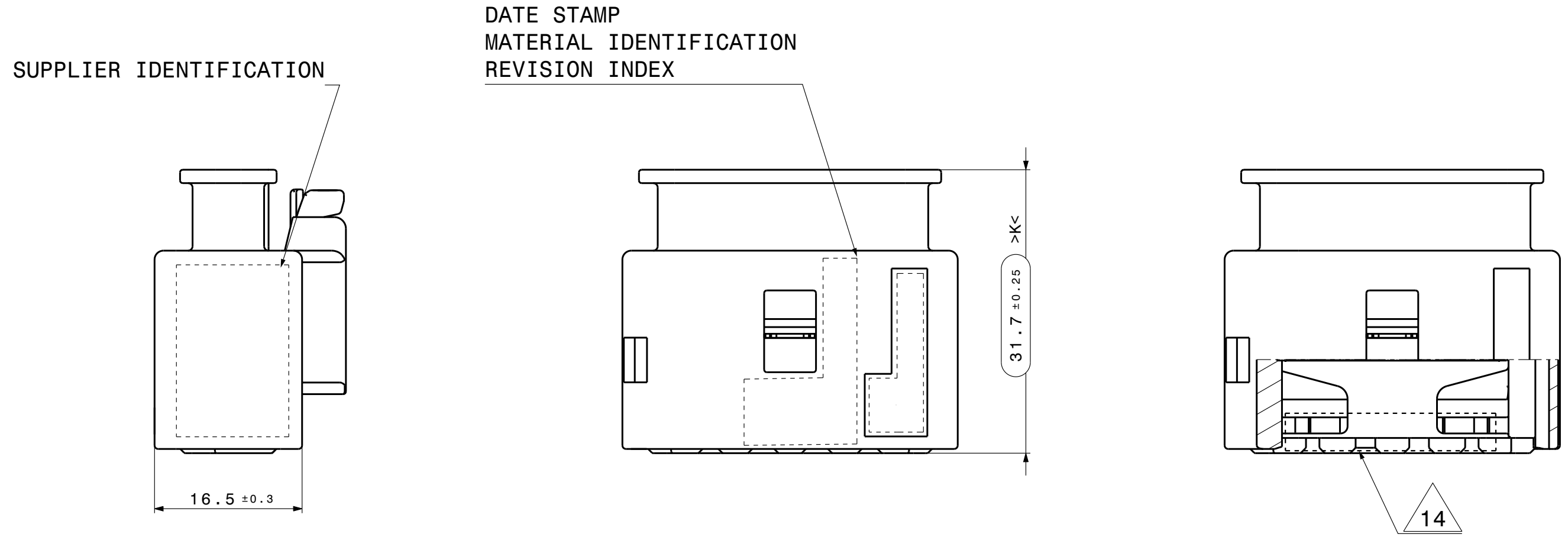
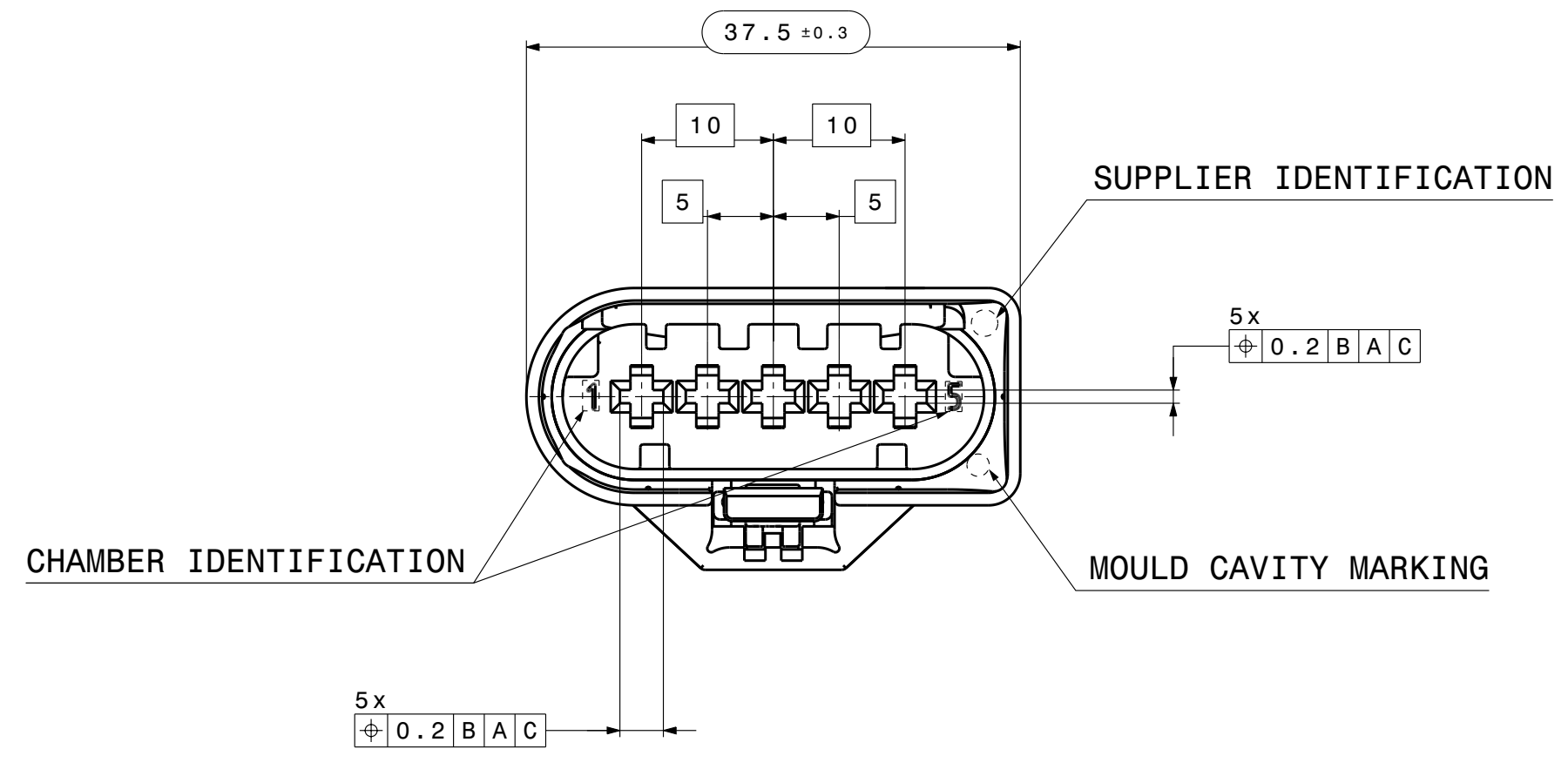
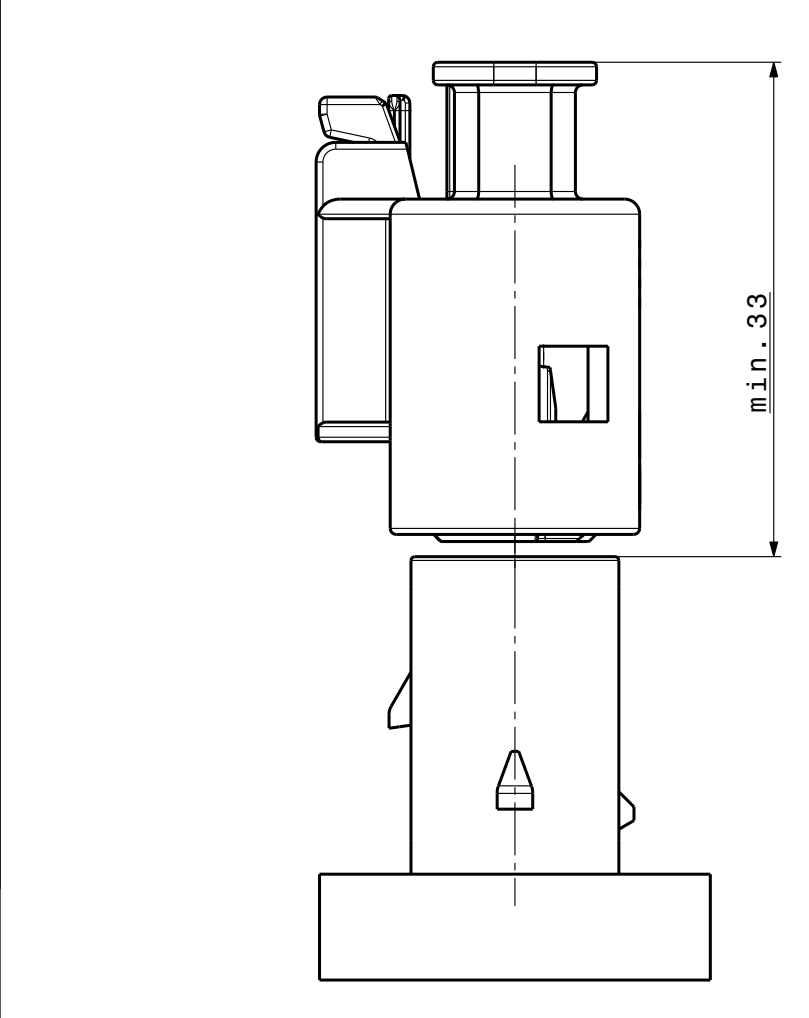
ISOMETRIC VIEW
SCALE: 2:1



OPERATION SPACE:
SCALE: 2:1



INTERFACE CONNECTION
SCALE: 2:1



GENERAL TOLERANCES FOR UNTOLERATED DIMENSIONS:

- ANGLE-DIMENSIONS (°)
- TOLERANCE FOR ALL ANGLE-DIMENSIONS: ±2°
- RADII: (mm)

bis 1	1-3	3-10	10-20	20-30	30-50
±0.2	±0.3	±0.4	±0.5	±1	±2

- DISTANCE-DIMENSIONS: DIN 2768-MH
- GENERAL TOLERANCE FOR SYMMETRY: ±0.2

CONNECTOR KEY-FACTS:

CONTACT CHAMBER:	1-5
CONTACT SYSTEM:	2.8x0.8
MAX. WSR [mm²]:	2.50
MAX. ISO-Ø [mm]:	MAX. INSULATION DIAMETER FOR 2.8: SEE RELEASED CONTACT DRAWING
MAX. CHAMBER-Ø [mm]:	Ø5.18
WATER TIGHTNESS (IP-CODE):	IPX7/IPX9K
ACC ISO 20653:	P623
WATER TIGHTNESS ACC LV214 2010-04:	(INCL. PROTECTION CAP AT IPx9k)
DYNAMIC LOAD ACC LV214 Pg17 2010-04:	SG4
TEMPERATURE AREA (1000h) ACC LV214 Pg21 2010-04:	SURFACE: Ag
FLAME RESISTANCE ACC UL94 (ACC. DATA SHEET):	-40°C / +125°C
	HB (1.6mm WALL THICKNESS)

ADDITIONAL VALID DOCUMENTS:

	HA NUMBER:
MATCHING TO INTERFACE CONNECTION:	808-169-...00
MATCHING CONTACT CHAMBER:	...
MATCHING TERMINAL:	TE DRAWING C-1355036
MATCHING TERMINAL (OPTIONAL):	...
MATCHING PROTECTION CAP:	...
MATCHING COUNTERPART HIRSCHMANN:	...
PRODUCT SPECIFICATION:	EPS-100100-00
PROCESSING SPECIFICATION:	EVS-100100-00
D-VALIDATION PLAN (FIRST RELEASE):	DVP-102505-00
SPECIFICATION:	EPH-100017-00

- COMMENTS:
- CODING A IS SHOWN
 - DELIVERY STATUS AS DRAWN AS BULK GOOD
 - ENGLISH TEXT IS VALID
 - MISSING DIMENSIONS SEE CAD-MODEL. THEREFORE THE GENERAL-TOLERANCES ARE VALID
 - DESIGN DEVIATIONS COMPARED WITH DETAIL DRAWINGS ARE INSIGNIFICANT. THE DETAIL DRAWINGS ARE VALID.
 - PART CORRESPONDS TO EU SCRAP CAR GUIDELINE 2000/53/EG
 - CHANGES BASED ON TECHNICAL PROGRESS ARE IN THE DECISION OF THE MANUFACTURER! DETAILS OF IMPLEMENTATION ARE LEFT TO MANUFACTURER.
 - MAX. 30% RECLAIM PERMITTED
 - PART IDENTIFICATION SIMILAR DIN 1451
 - DRAFT ANGLE WITHIN TOLERANCE.
 - MAX. SPLIT LINE 0.2
 - MAX. BURR 0.3
 - IN AREA OF TPA CONNECTION IT CAN TURNED INTO A SUPERFICIAL STRUCTURE CHANGE WITH NO EFFECT ON THE FUNCTION.
 - CHANGE OF THE SURFACE IS ALLOWED IN THE MARKED AREA

807-875-511	A	A	BLACK, SIMILAR RAL9011	
PART NUMBER:	REVISION:	CODING:	COLOR CONTACT CARRIER:	COMMENT:
HIRSCHMANN AUTOMOTIVE				

POS.	COUNT:	DESCRIPTION:	MATERIAL:	COLOR:	COMMENT:
1	1	CONTACT CARRIER	PA66-GF25	BLACK, SIMILAR RAL9011	
2	1	RADIAL LIP SEAL	LSR 50-A	TRANSPARENT	
3	1	PROTECTIVE SHROUD	PA66-GF25	BLACK SIMILAR RAL9011	
4	1	CPA	PA66-GF25	GREY SIMILAR RAL7035	

00	Ersterstellung / Initial edition	16.09.2002	HA
Version	Num.	Description of alteration	Date
Test instructions			
Shop state	Material	Final state	Stock weight
			Disc
Material-No.	Tolerances	EN ISO 8015	Surface
	Edges	DIN ISO 13715	2:1
	Geometric tolerances:	ISO 1101	ISO Symbol
		2:1	CAFTA VS
Drawn	Date	16.09.2002	H. Karpel
Checked	Date	02.03.2002	T. Burk
Released	Date	02.03.2002	T. Burk
5way 2.8 SealStar F Connector			
HIRSCHMANN AUTOMOTIVE			
Drawing - No.	807-875-...00		
Origin	Replacement	Disc	10000049000