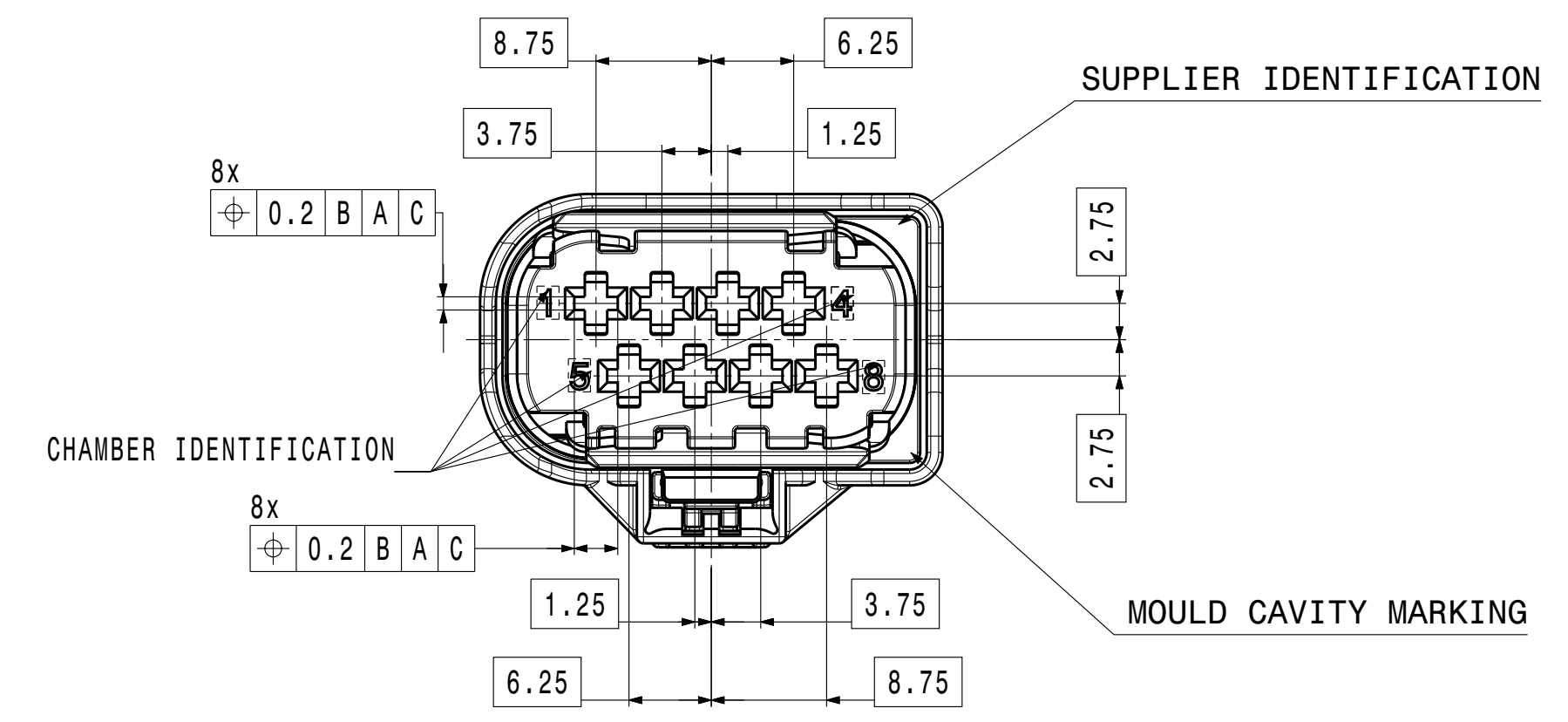
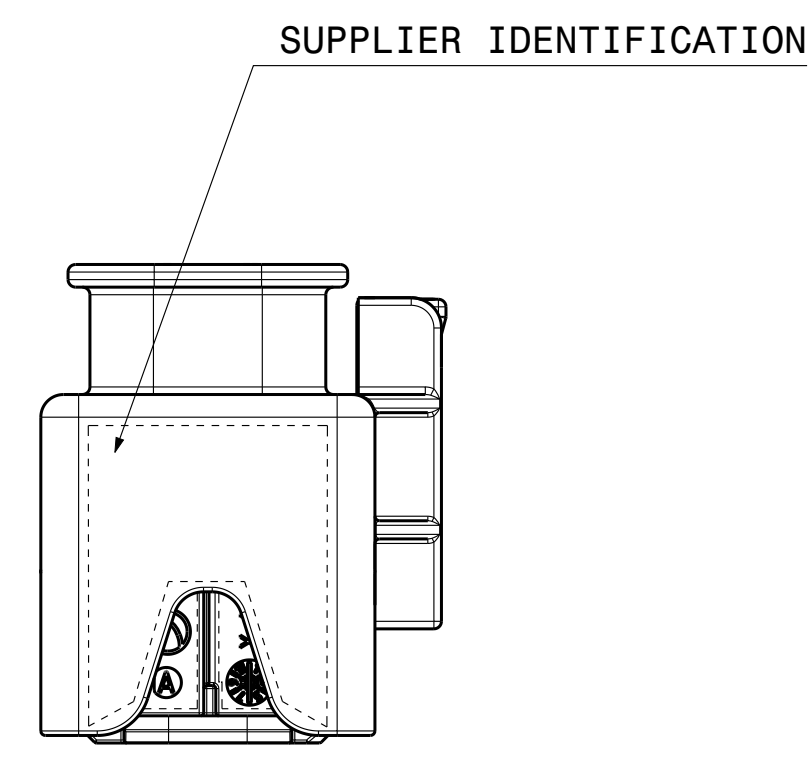
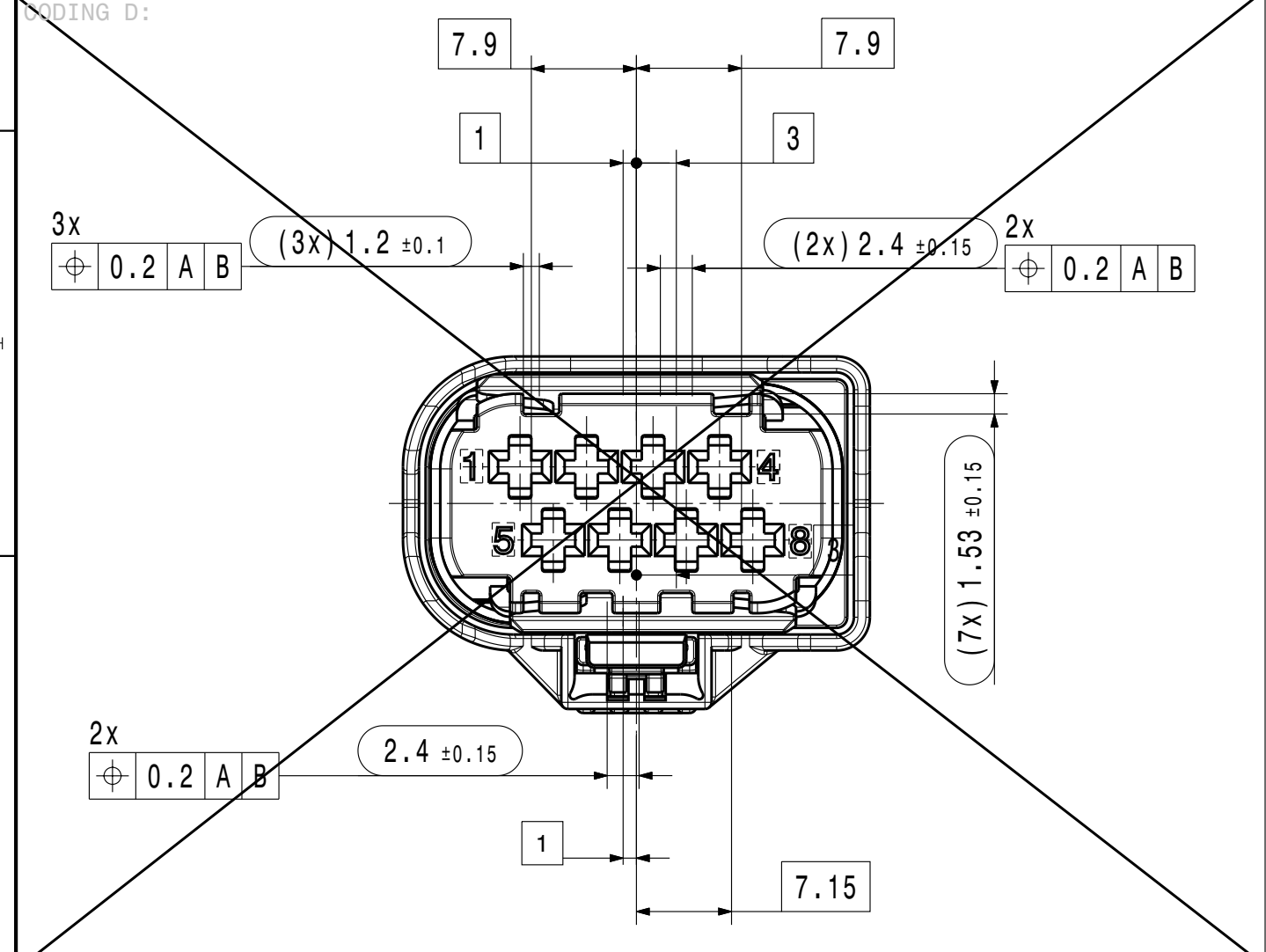
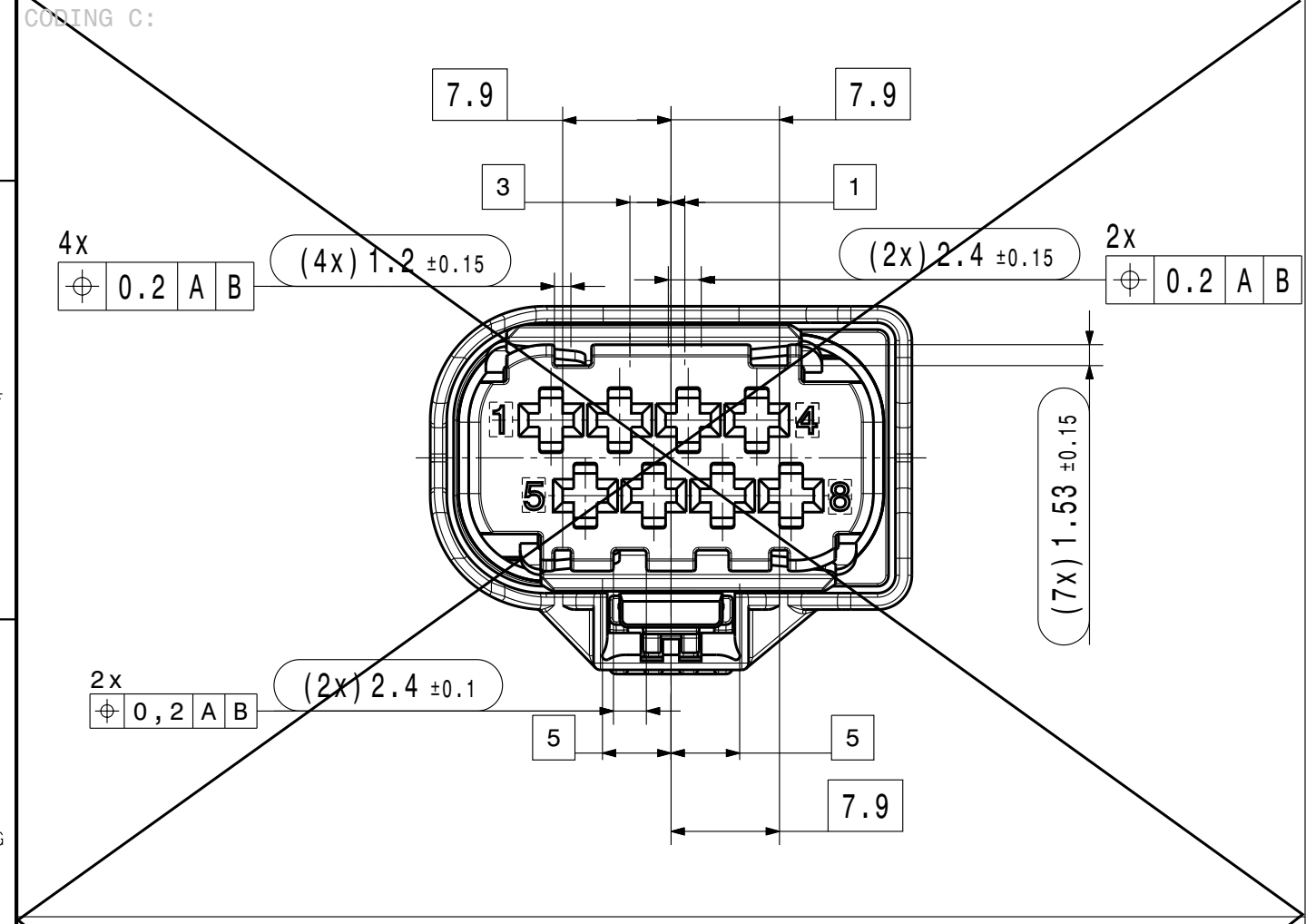
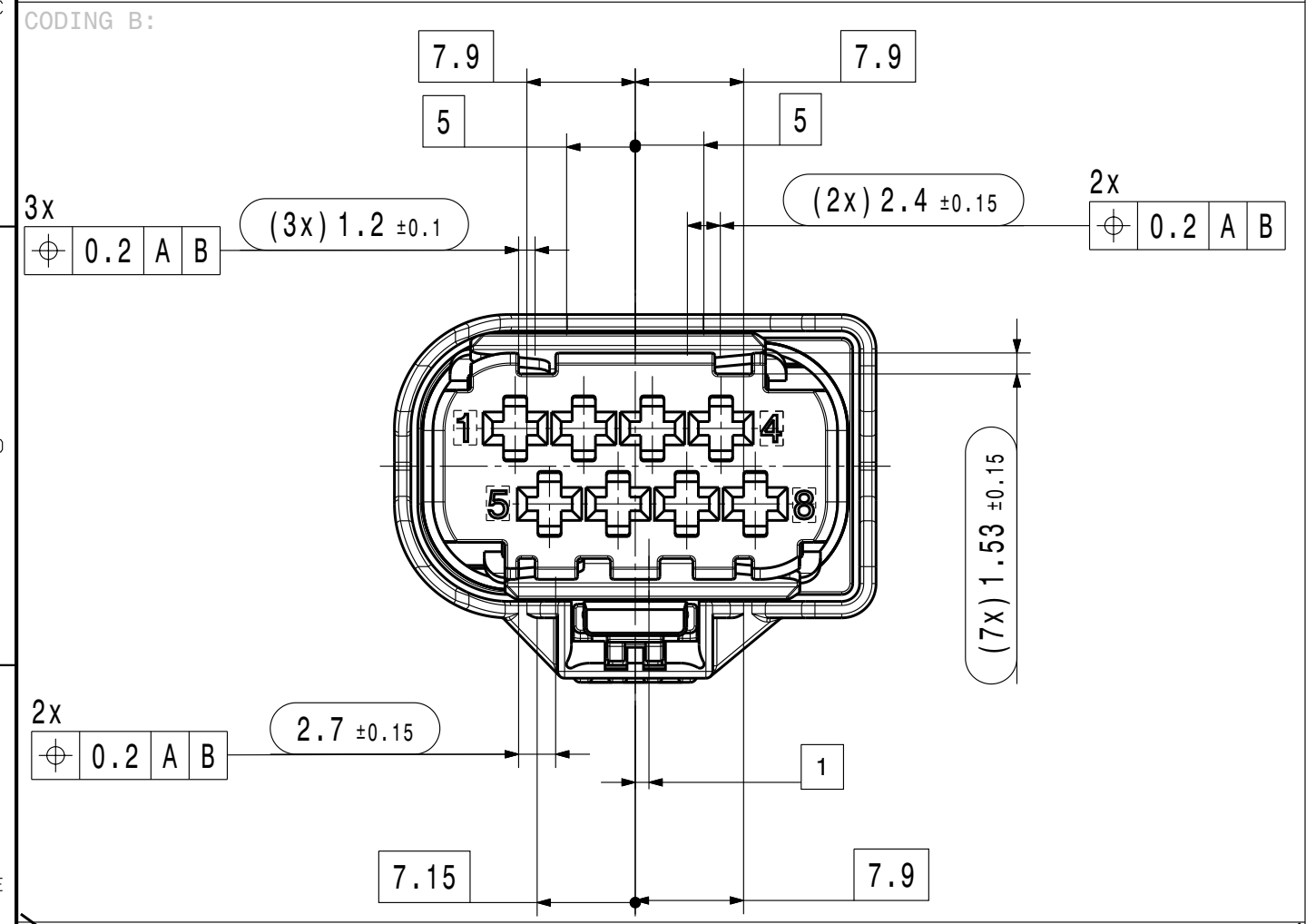
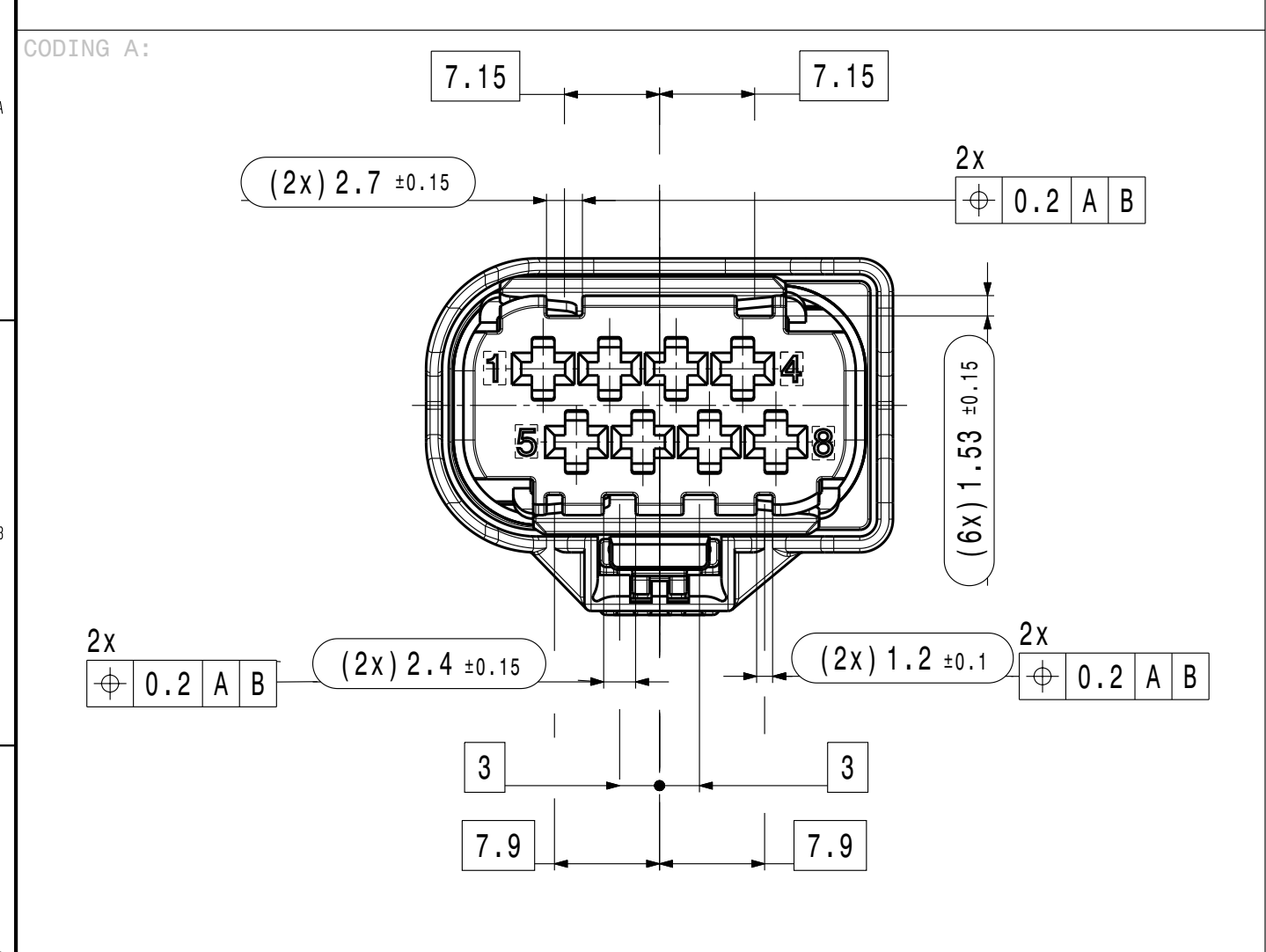
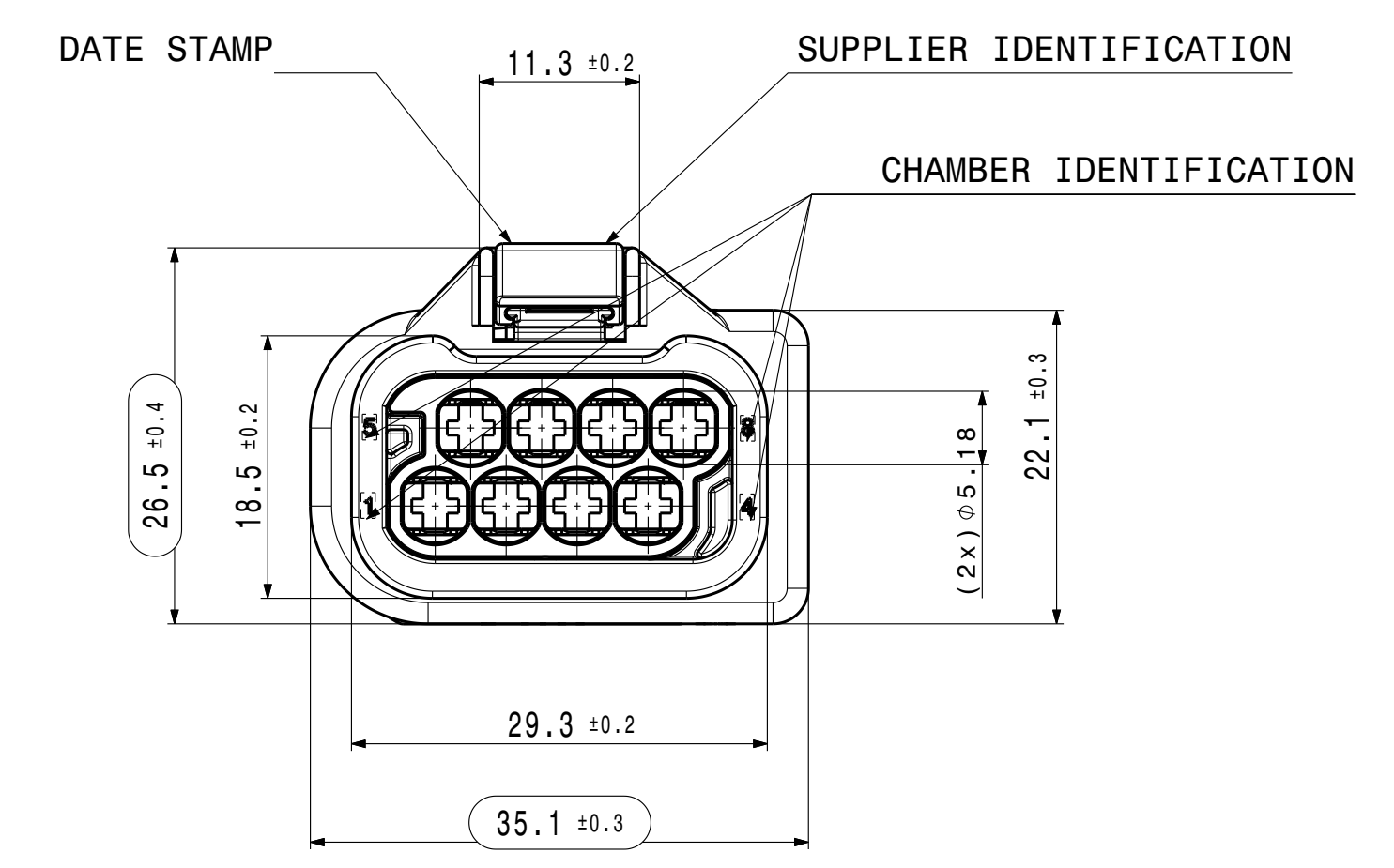
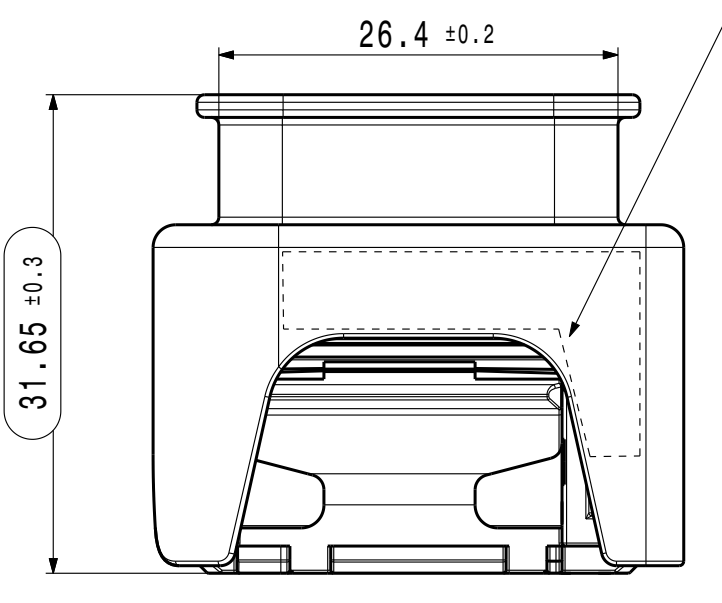


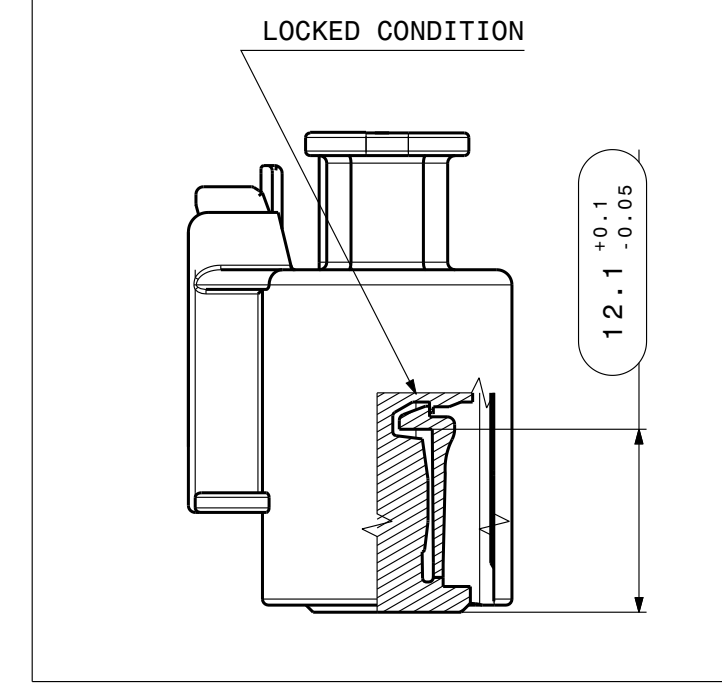
SCALE: 2:1



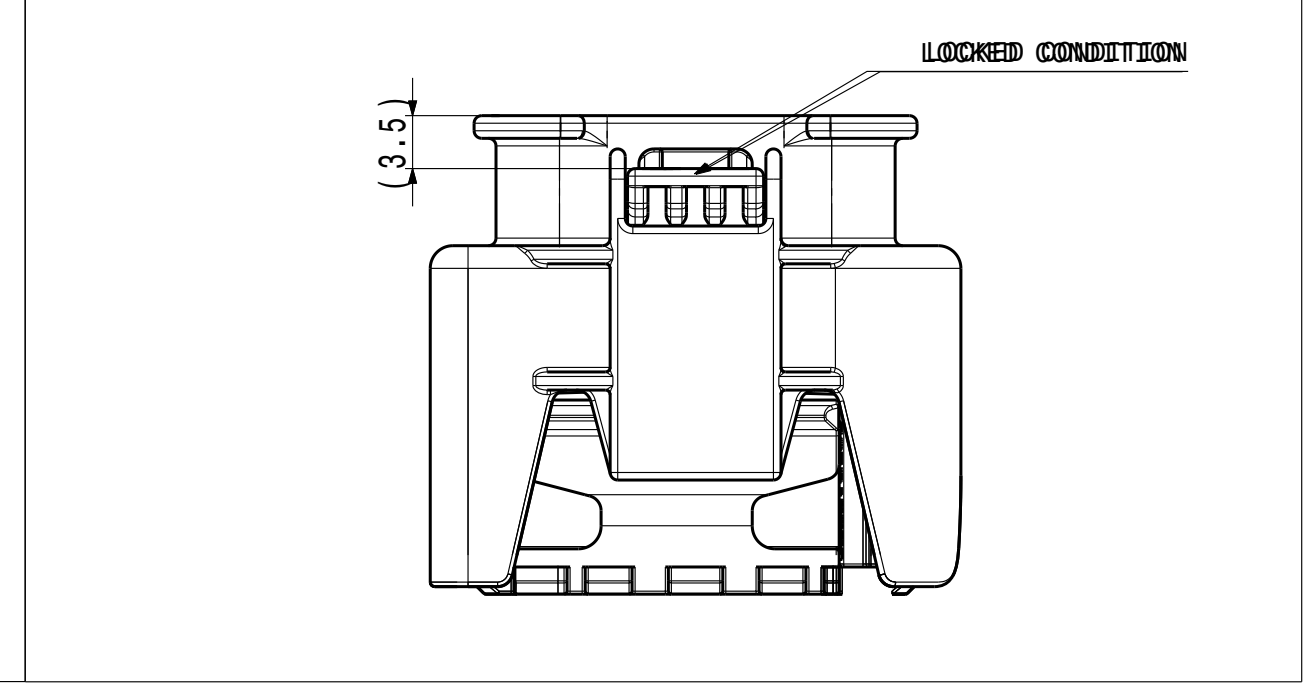
DATE STAMP  
MATERIAL IDENTIFICATION  
REVISION INDEX



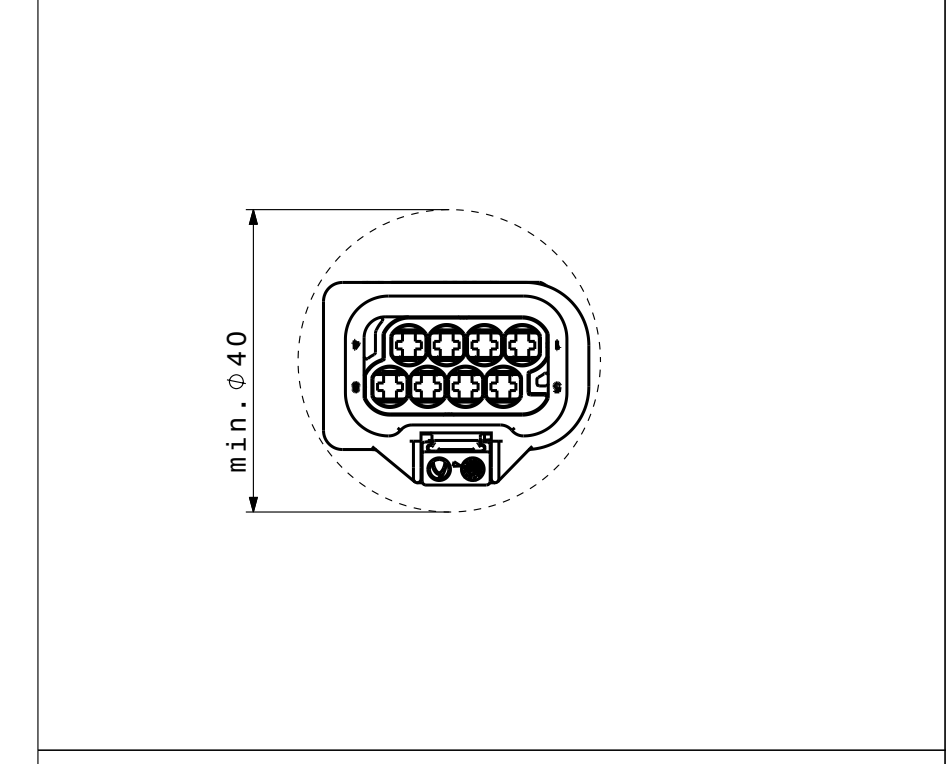
CPA AND TPA  
PLUG ONLY IN LOCKED POSITION POSSIBLE  
SCALE: 2:1



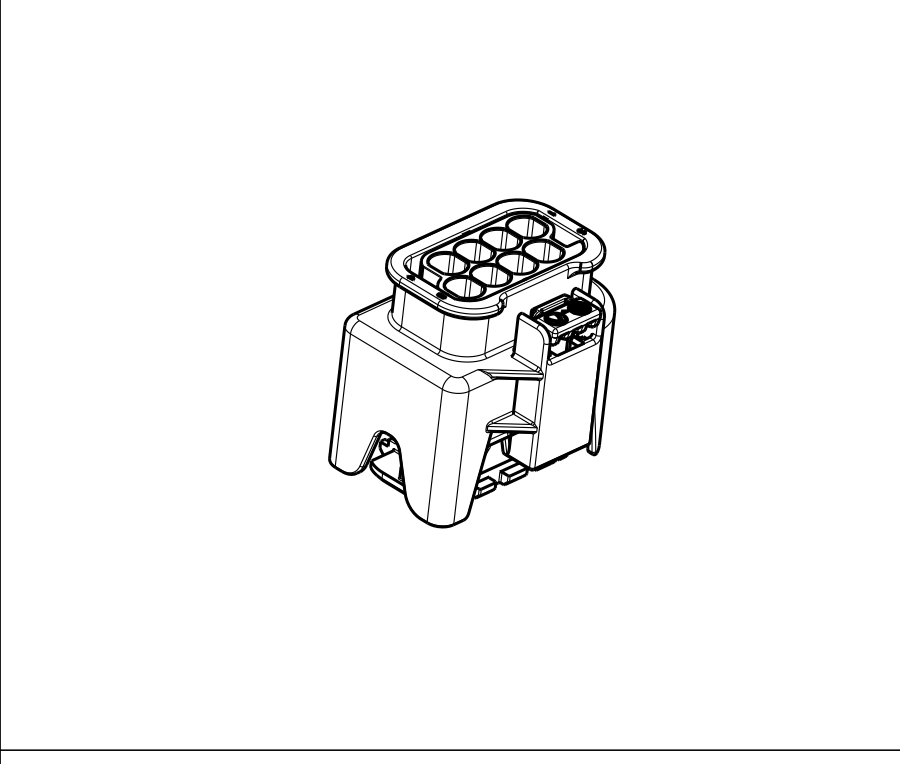
CPA ENDPOSITION:  
ONLY POSSIBLE IN COMBINATION WITH INTERFAE CONNECTION AND INLINE CONNECTION  
SCALE: 2:1



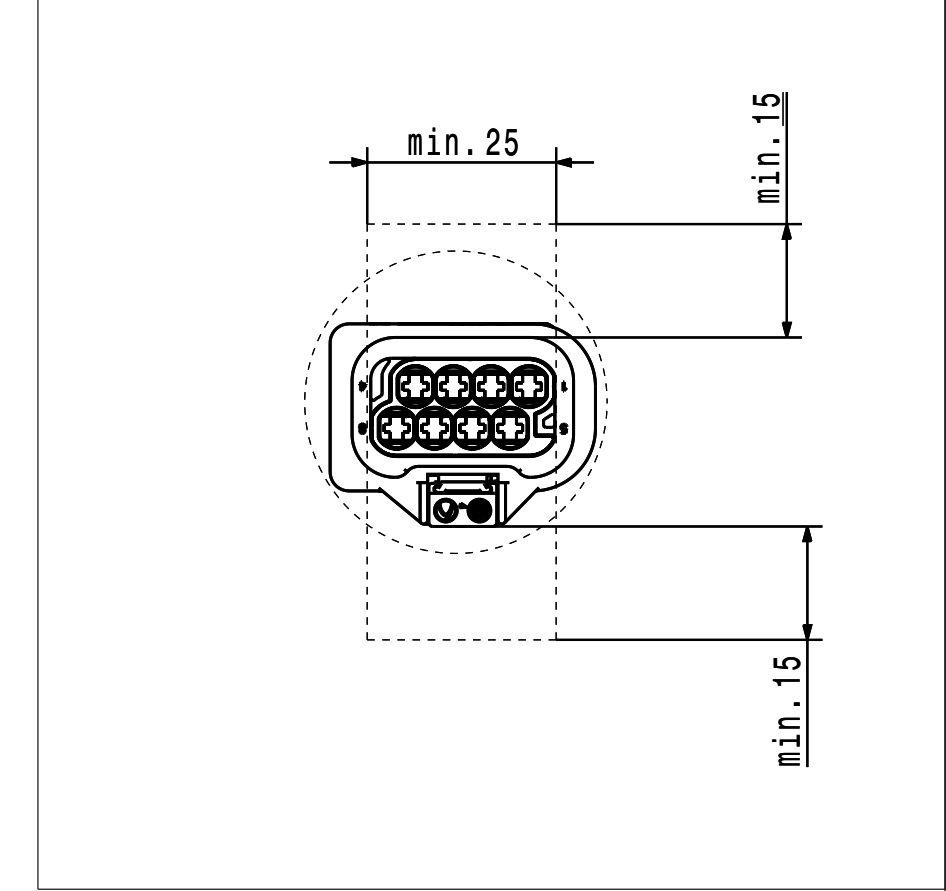
ASSEMBLING OPENING / HOLE FOR RUN-IN:  
SCALE: 2:1



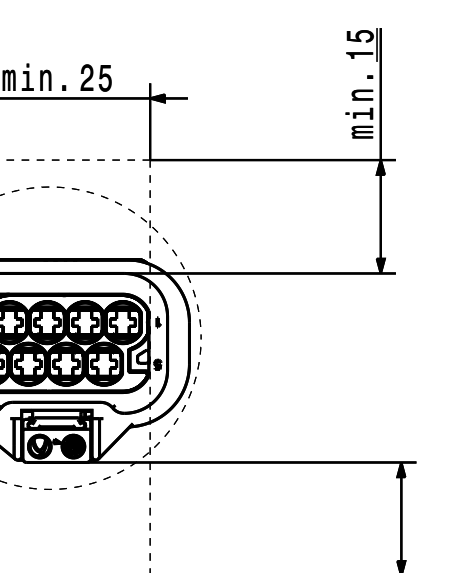
ISOMETRIC VIEW  
SCALE: 2:1



OPERATION SPACE:  
SCALE: 2:1



INTERFACE CONNECTION  
SCALE: 2:1



GENERAL TOLERANCES FOR UNTOLERATED DIMENSIONS:  
1. ANGLE-DIMENSIONS (°)  
TOLERANCE FOR ALL ANGLE-DIMENSIONS: ±2°  
2. RADII: (mm)  
b ≤ 1 1-3 3-10 10-20 20-30 30-50  
±0.2 ±0.3 ±0.4 ±0.5 ±1 ±2  
3. DISTANCE-DIMENSIONS: DIN 2768-mH  
4. GENERAL TOLERANCE FOR SYMMETRY: ±0.2

CONNECTOR KEY-FACTS:

CONTACT CHAMBER:	1-8
CONTACT SYSTEM:	2.8x0.8
MAX. WSR [mm²]:	2.50
MAX. ISO-Ø [mm]:	MAX. INSULATION DIAMETER FOR 2.8: SEE RELEASED CONTACT DRAWING
MAX. CHAMBER-Ø [mm]:	Ø5.18
WATER TIGHTNESS (IP-CODE): ACC ISO 20653	IPX7/IPX9K
WATER TIGHTNESS: ACC LV214: 2010-04	PG23 (INCL. PROTECTION CAP AT IPx9k)
DYNAMIC LOAD: ACC LV214 Pg17: 2010-04	SG4 SURFACE: Ag
TEMPERATURE AREA (1000h): ACC LV214: P221: 2010-04	-40°C / +125°C
FLAME RESISTANCE ACC UL94 (ACC. DATA SHEET)	HB (1.6mm WALL THICKNESS)

ADDITIONAL VALID DOCUMENTS:

	HA NUMBER:
2. MATCHING TO INTERFACE CONNECTION:	808-008-...00
MATCHING CONTACT CHAMBER:	...
MATCHING TERMINAL:	TE DRAWING C-1355036
MATCHING TERMINAL (OPTIONAL):	...
MATCHING PROTECTION CAP:	...
MATCHING COUNTERPART HIRSCHMANN:	...
PRODUCT SPECIFICATION:	EPS-100100-00
PROCESSING SPECIFICATION:	EVS-100100-00
D-VALIDATION PLAN (FIRST RELEASE):	DVP-100550-00
SPECIFICATION:	EPH-100017-00

COMMENTS:  
1. CODING A IS SHOWN  
2. DELIVERY STATUS AS DRAWN AS BULK GOOD  
3. ENGLISH TEXT IS VALID  
4. MISSING DIMENSIONS SEE CAD-MODEL, THEREFORE THE GENERAL-TOLERANCES ARE VALID  
5. DESIGN DEVIATIONS COMPARED WITH DETAIL DRAWINGS ARE INSIGNIFICANT.  
THE DETAIL DRAWINGS ARE VALID.  
6. PART CORRESPONDS TO EU SCRAP CAR GUIDELINE 2000/53/EG  
7. CHANGES BASED ON TECHNICAL PROGRESS ARE IN THE DECISION OF THE MANUFACTURER!  
DETAILS OF IMPLEMENTATION ARE LEFT TO MANUFACTURER!  
8. MAX. 30% REGULATE PERMITTED  
9. PART IDENTIFICATION SIMILAR DIN 1451  
10. DRAFT ANGLE WITHIN TOLERANCE.  
11. MAX. SPLIT LINE 0.2  
12. MAX. BURR 0.3  
13. IN AREA OF TPA CONNECTION IT CAN TURNED INTO A SUPERFICIAL STRUCTURE CHANGE WITH NO EFFECT ON THE FUNCTION.  
14. CHANGE OF THE SURFACE IS ALLOWED IN THE MARKED AREA

807-871-522	1	A	B	BLACK, SIMILAR RAL9011	
807-871-521	1	A	A	BLACK, SIMILAR RAL9011	
PART NUMBER:	REVISION:	CODING:	COLOR CONTACT CARRIER:	COMMENT:	
HIRSCHMANN AUTOMOTIVE					

POS.	COUNT:	DESCRIPTION:	MATERIAL:	COLOR:	COMMENT:
1	1	CONTACT CARRIER	PA66-GF25	BLACK, SIMILAR RAL9011	
2	1	RADIAL LTP SEAL	LSR 50-A	TOMATO RED, SIMILAR RAL3013	
3	1	PROTECTIVE SHROUD	PA66-GF25	BLACK SIMILAR RAL9011	
4	1	CPA	PA66-GF25	GREY SIMILAR RAL7035	

03	1	Change of the secondary locking latch	25.08.2023	USA
02	1	W. number of interface connection corrected	22.11.2022	USA
01	2	Part number added S21 and S22 Erweiterung / Detail addition	04.05.2022	HKA
00			18.02.2022	HKA

DESCRIPTION OF CHANGES:  
DESCRIPTION OF CHANGES  
DATE  
BY

OPERATOR: J. Jäger  
DATE: 25.08.2023  
SUBTITLE: J. Jäger  
REVISION: 30.08.2023  
PREPARED: J. Jäger  
DATE: 30.08.2023

TITLE / BENENNUNG: 8way 2.8 SealStar F Connector  
SCALE / MÄßSTAB: AD  
SUBTITLE / ZUSATZ TEXT: AD  
FORMAT: AD  
SHEET / BLATT: 1/1

HIRSCHMANN AUTOMOTIVE  
DRAWING NO.: 807-871-...00  
SCALE: 2:1